

I-7021/21P, I-7022, I-7024

User Manual

Warranty

All products manufactured by ICP DAS are warranted against defective materials for a period of one year from the date of delivery to the original purchaser.

Warning

ICP DAS assume no liability for damages consequent to the use of this product. ICP DAS reserves the right to change this manual at any time without notice. The information furnished by ICP DAS is believed to be accurate and reliable. However, no responsibility is assumed by ICP DAS for its use, nor for any infringements of patents or other rights of third parties resulting from its use.

Copyright

Copyright 1999 by ICP DAS. All rights are reserved.

Trademark

The names used for identification only maybe registered trademarks of their respective companies.

Date:2000-12

Table of Contents

1. Introduction	6
1.1 More Information	6
1.2 Pin Assignment	7
1.3 Specifications	10
1.4 Block Diagram	12
1.5 Jumper Setting	14
1.6 Wire Connection	14
1.7 Quick Start	15
1.8 Default Setting	15
1.9 Calibration	16
1.10 Configuration Tables	22
2. Command	26
2.1 %AANNTTCCFF	29
2.2 \$AA2	30
2.3 \$AA5	31
2.4 \$AAF	32
2.5 \$AAM	33
2.6 ~AAO(Data)	34
2.7 #AA(Data)	35
2.8 \$AA0	37
2.9 \$AA1	38
2.10 \$AA3VV	39

2.11 \$AA4.....	40
2.12 \$AA6.....	41
2.13 \$AA7.....	42
2.14 \$AA8.....	43
2.15 #AAN(Data).....	45
2.16 \$AA0N.....	47
2.17 \$AA1N.....	48
2.18 \$AA3NVV	49
2.19 \$AA4N.....	50
2.20 \$AA6N.....	51
2.21.1 \$AA7N.....	52
2.21.2 \$AA7N.....	53
2.22 \$AA8N.....	54
2.23 \$AA9N.....	56
2.24 \$AA9NTS	57
2.25 ~**	58
2.26 ~AA0	59
2.27 ~AA1	60
2.28 ~AA2	61
2.29 ~AA3EVV	62
2.30 ~AA4	64
2.31 ~AA4N.....	65
2.32 ~AA5	66
2.33 ~AA5N.....	67

3. Application Note	68
3.1 INIT* pin Operation	68
3.2 Module Status	68
3.3 Dual Watchdog Operation	69
3.4 Reset Status	69
3.5 Analog Output.....	69
3.6 Slew Rate Control	70
3.7 Current Readback	71

1. Introduction

I-7000 is a family of network data acquisition and control modules. They provide analog-to-digital, digital-to-analog, digital input/output, timer/counter and other functions. These modules can be remote controlled by a set of commands. The basic features of I-7021, I-7021P, I-7022 and I-7024 are given as following :

- 3000 VDC isolated analog output.
- Programmable PowerOn Value of analog output.
- Programmable slew rate.
- Software calibration.

The I-7021 is an analog output module with 12-bit resolution and current readback function. The I-7021P is similar with I-7021 but with 16-bit resolution. The I-7022 is the dual channel version of I-7021. The I-7024 is a 4-channel analog output module, and supports bipolar voltage output.

1.1 More Information

Refer to “**I-7000 Bus Converter User Manual**” chapter 1 for more information as following:

1.1 I-7000 Overview

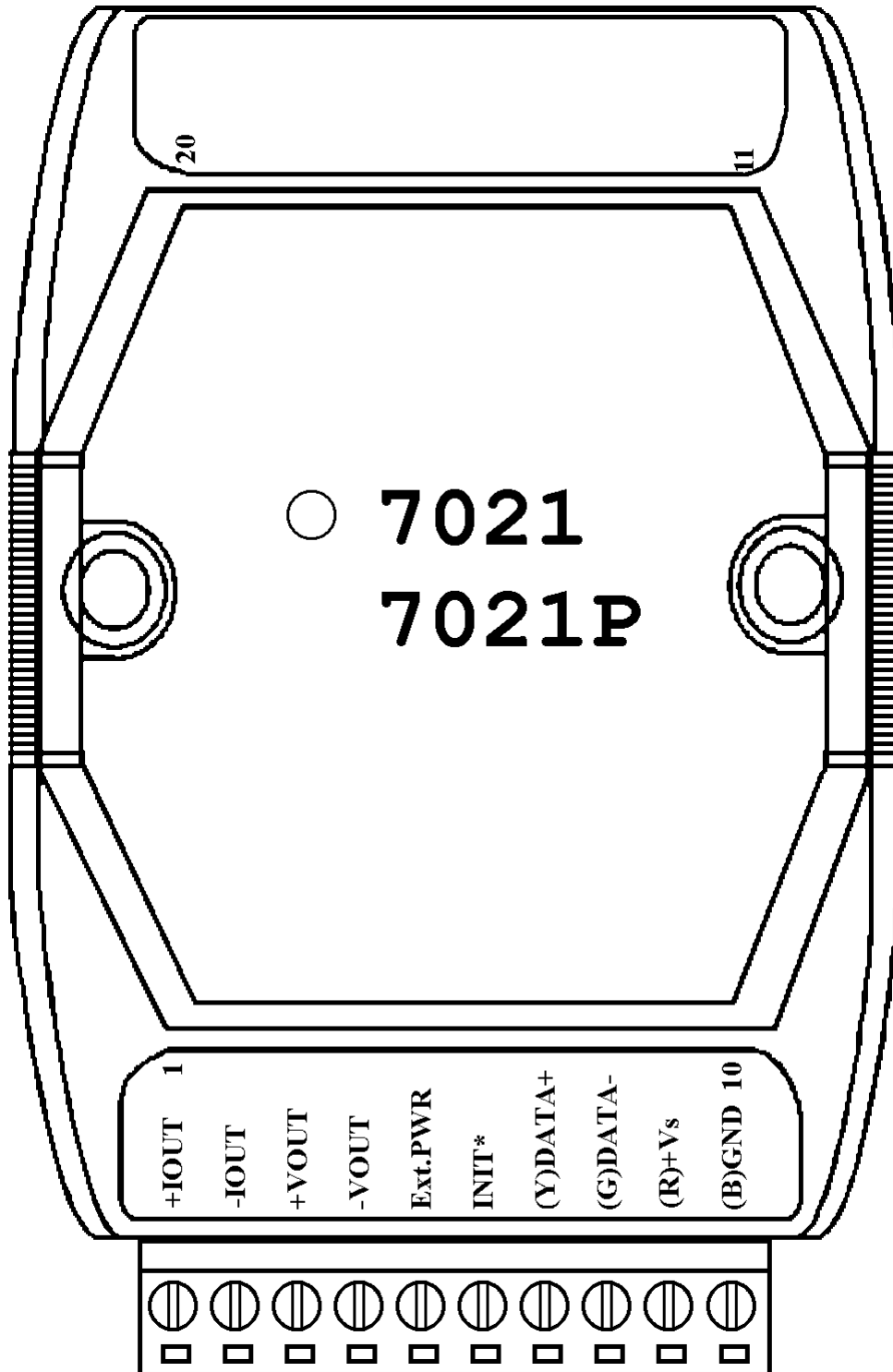
1.2 I-7000 Related Documentation

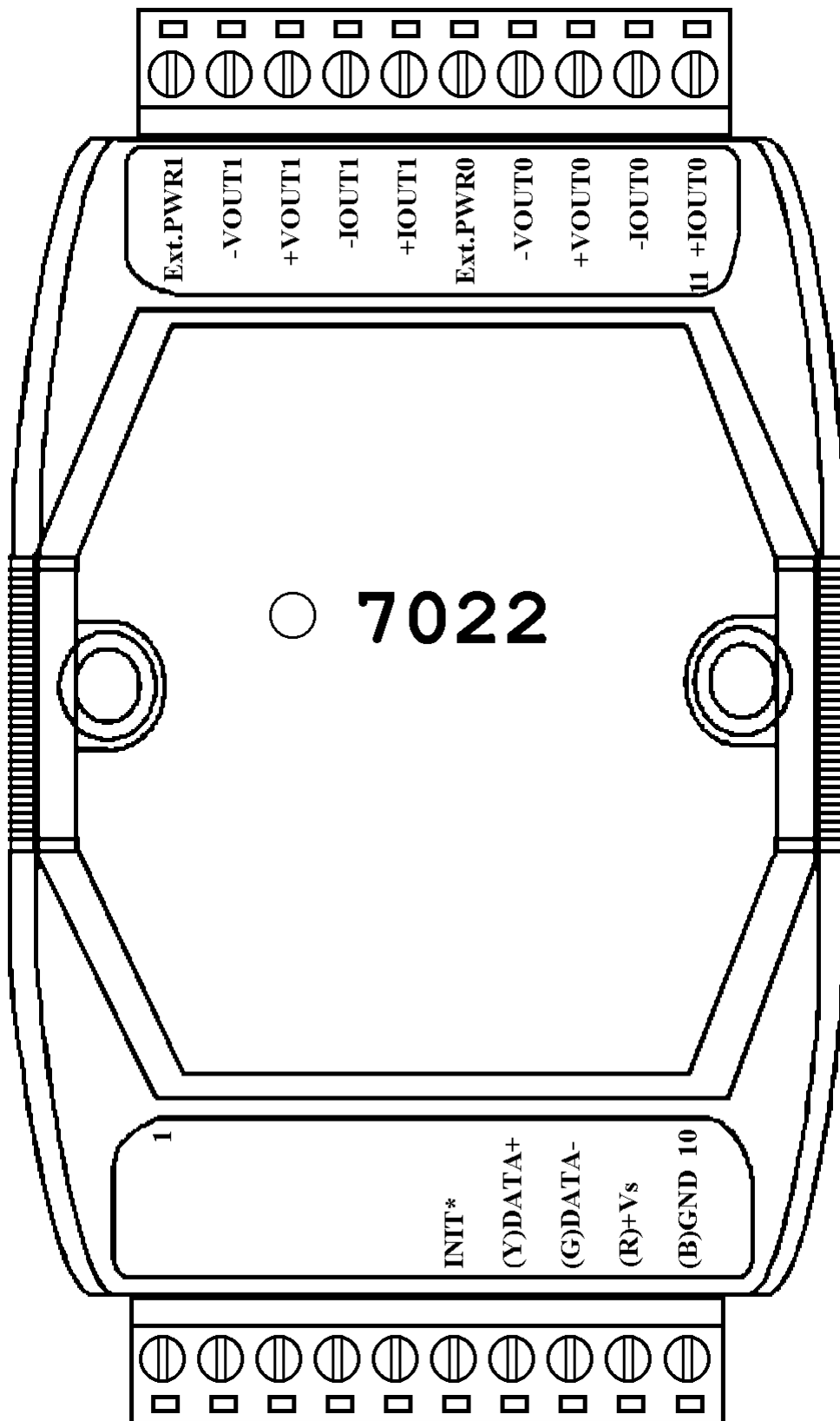
1.3 I-7000 Command Features

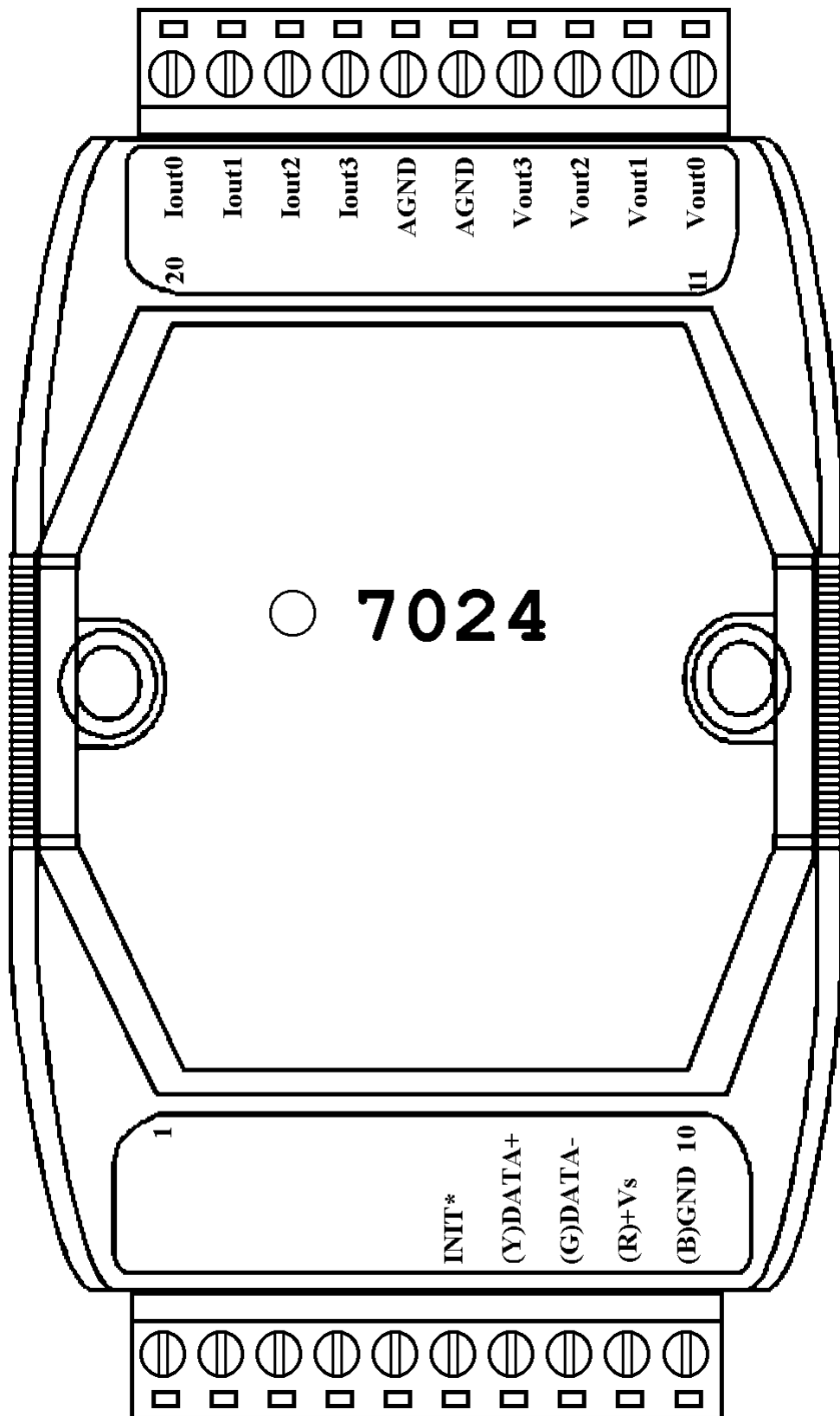
1.4 I-7000 System Network Configuration

1.5 I-7000 Dimension

1.2 Pin Assignment







1.3 Specifications

I-7021

Analog Output

Output Channel : 1

Output Type : mA, V

Accuracy : $\pm 0.1\%$ of FSR

Resolution : $\pm 0.02\%$ of FSR

Readback Accuracy : $\pm 1\%$ of FSR

Zero Drift :

Voltage output : $\pm 30\mu\text{V}/^\circ\text{C}$

Current output : $\pm 0.2\mu\text{A}/^\circ\text{C}$

Span Temperature Coefficient : $\pm 25\text{ppm}/^\circ\text{C}$

Programmable Output Slope :
0.125 to 1024 mA/Second
0.0625 to 512 V/Second

Voltage Output : 10mA max.

Current Load Resistance :

Internal power : 500 ohms

External 24V : 1050 ohms

Isolation : 3000VDC

Power Supply

Input : +10 to +30VDC

Consumption : 1.8W

I-7021P

Analog Output

Output Channel : 1

Output Type : mA, V

Accuracy : $\pm 0.02\%$ of FSR

Resolution : $\pm 0.002\%$ of FSR

Readback Accuracy : $\pm 1\%$ of FSR

Zero Drift :

Voltage output : $\pm 10\mu\text{V}/^\circ\text{C}$

Current output : $\pm 0.2\mu\text{A}/^\circ\text{C}$

Span Temperature Coefficient : $\pm 5\text{ppm}/^\circ\text{C}$

Programmable Output Slope :
0.125 to 1024 mA/Second
0.0625 to 512 V/Second

Voltage Output : 10mA max.

Current Load Resistance :

Internal power : 500 ohms

External 24V : 1050 ohms

Isolation : 3000VDC

Power Supply

Input : +10 to +30VDC

Consumption : 1.8W

I-7022

Analog Output

Output Channel : 2

Output Type : mA, V

Accuracy : $\pm 0.1\%$ of FSR

Resolution : $\pm 0.02\%$ of FSR

Readback Accuracy : $\pm 1\%$ of FSR

Zero Drift :

Voltage output : $\pm 30\mu\text{V}/^\circ\text{C}$

Current output : $\pm 0.2\mu\text{A}/^\circ\text{C}$

Span Temperature Coefficient : $\pm 25\text{ppm}/^\circ\text{C}$

Programmable Output Slope :
0.125 to 1024 mA/Second
0.0625 to 512 V/Second

Voltage Output : 10mA max.

Current Load Resistance :

Internal power : 500 ohms

External 24V : 1050 ohms

Isolation : 3000VDC

Channel-to-channel isolation

Power Supply

Input : +10 to +30VDC

Consumption : 3.0W

I-7024

Analog Output

Output Channel : 4

Output Type : mA, V

Accuracy : $\pm 0.1\%$ of FSR

Resolution : $\pm 0.02\%$ of FSR

Zero Drift :

Voltage output : $\pm 30\mu\text{V}/^\circ\text{C}$

Current output : $\pm 0.2\mu\text{A}/^\circ\text{C}$

Span Temperature Coefficient : $\pm 20\text{ppm}/^\circ\text{C}$

Programmable Output Slope :
0.125 to 2048 mA/Second
0.0625 to 1024 V/Second

Voltage Output : 5mA max.

Current Load Resistance :

External 24V : 1050 ohms

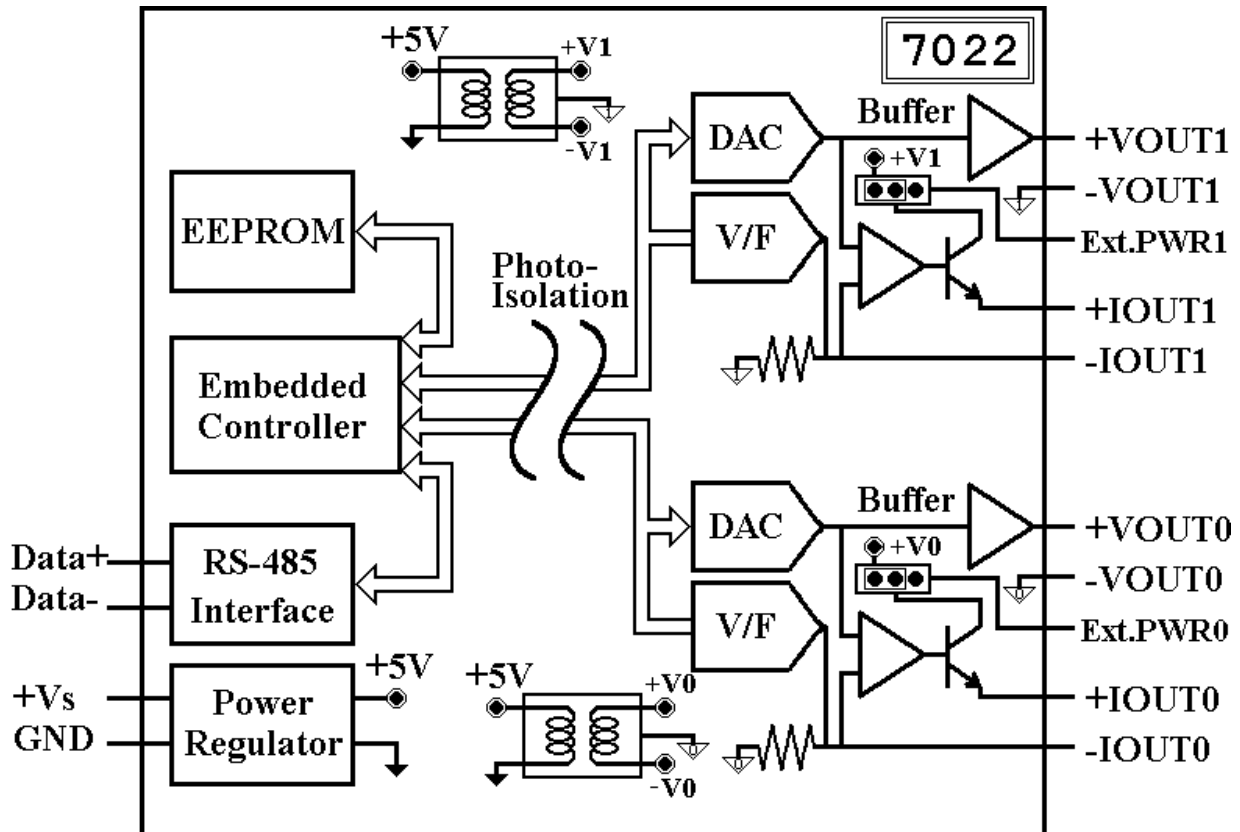
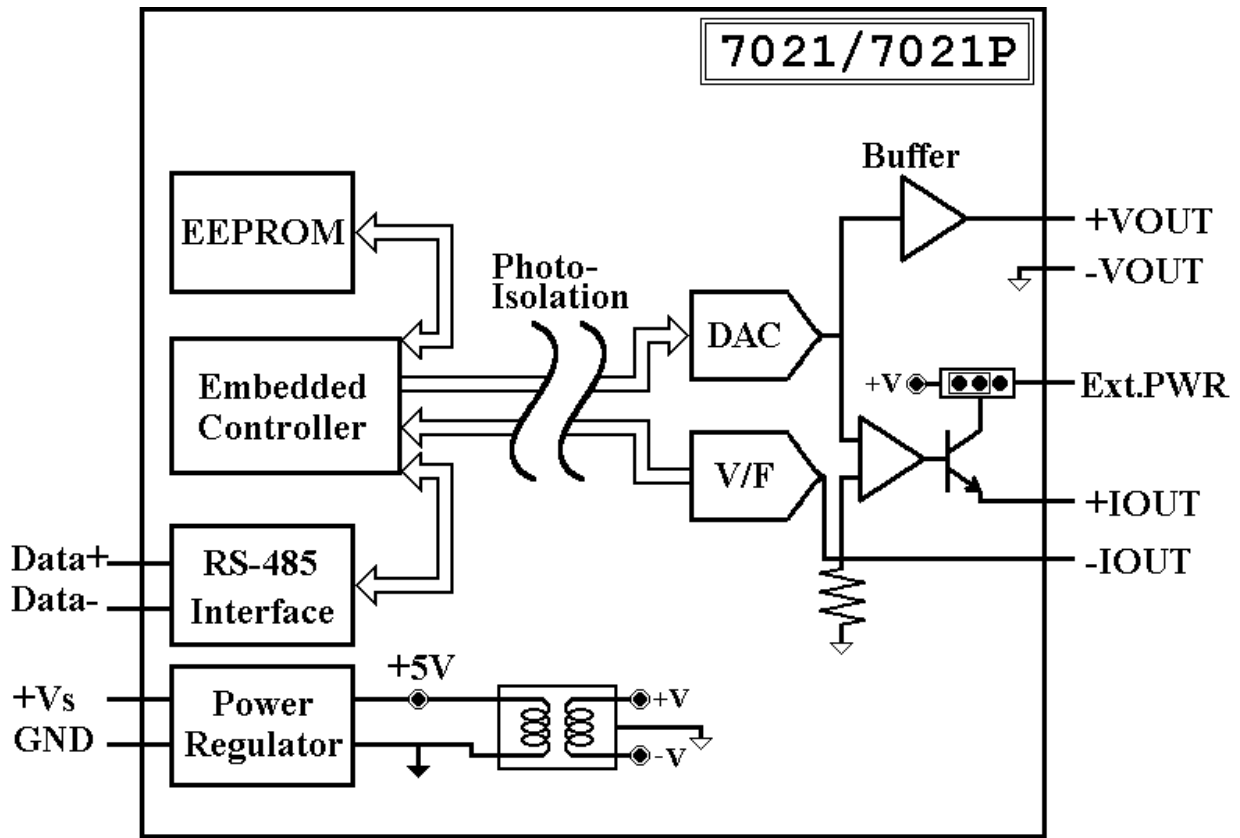
Isolation : 3000VDC

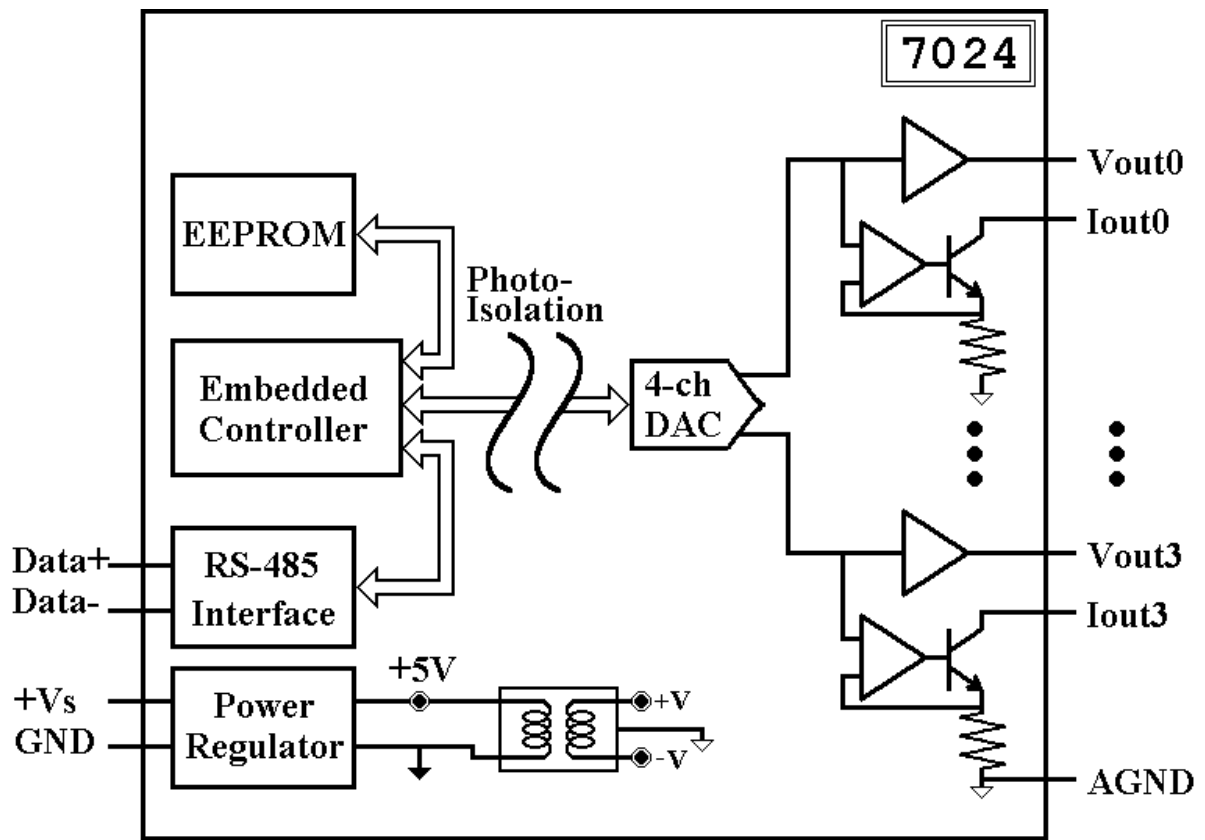
Power Supply

Input : +10 to +30VDC

Consumption : 2.3W

1.4 Block Diagram

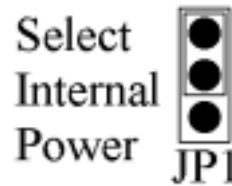
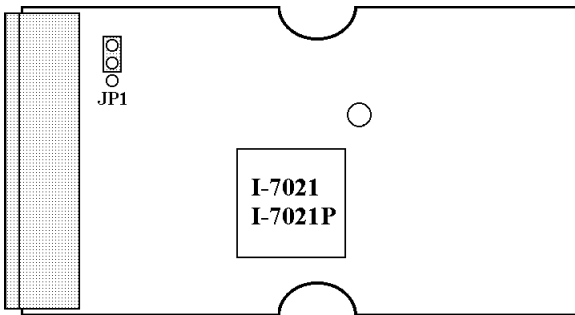




1.5 Jumper Setting

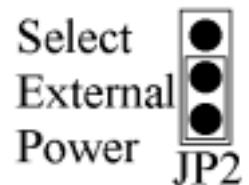
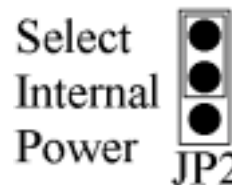
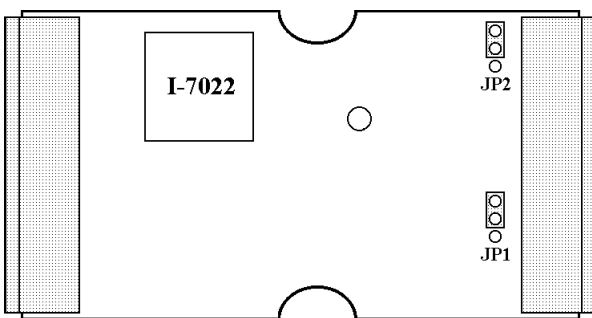
Jumper select the current output power supply of I-7021/21P :

1. Select internal power of module : default setting, may drive load up to 500 ohms.
2. Select external power of module : may drive larger load. with 24V power, may drive 1050 ohms.



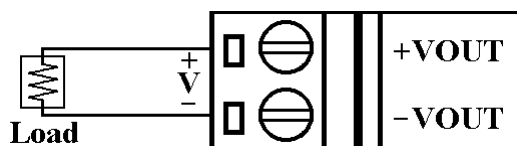
Jumper select the current output power supply of I-7022 :

1. JP1 for channel 0 setting, and JP2 for channel 1 setting.
2. Select internal power : 500 ohms load max.
3. External power : 1050 ohms with external +24VDC power.

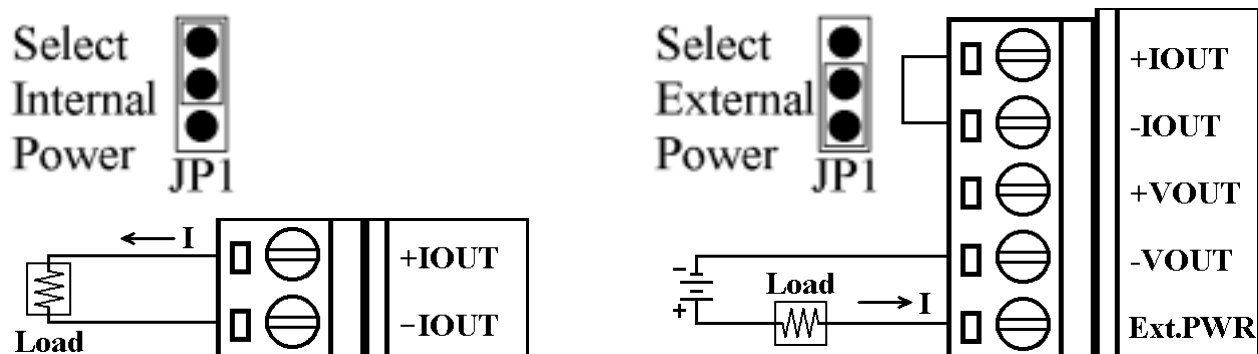


1.6 Wire Connection

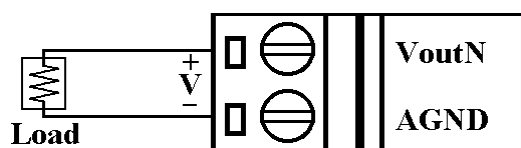
I-7021/21P/22 Voltage Output Wire Connection



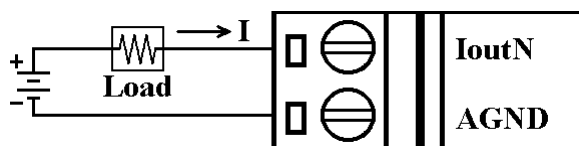
I-7021/21P/22 Current Output Wire Connection



I-7024 Voltage Output Wire Connection



I-7024 Current Output Wire Connection



1.7 Quick Start

Refer to “I-7000 Bus Converter User Manual” and “Getting Start” for more detail.

1.8 Default Setting

Default setting for I-7021, I-7021P, I-7022 and I-7024 :

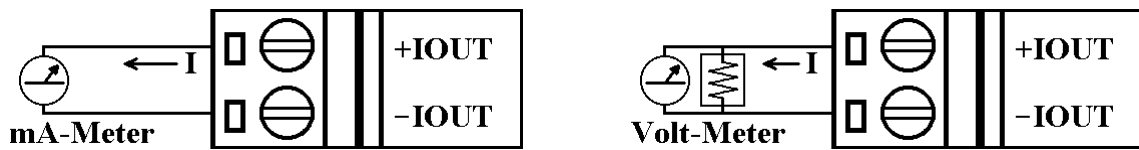
- Address : 01
- Analog Output Type : 0 to +10V
- Baudrate : 9600 bps
- Checksum disable, change immediate, engineer unit format
- I-7021, I-7021P, I-7022 jumper setting : internal power.

1.9 Calibration

Don't Perform Calibrate Until You Really Understand.

I-7021/21P Current Output Calibration Sequence :

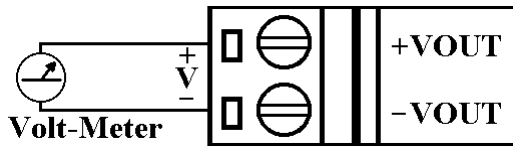
- 1 Set the jumper1 to internal power and connect mA-meter to module's current output. If no mA-meter, you may use Volt-Meter with shunt resistor(250 ohms, 0.1%), and calculate the mA by the Volt-Meter value ($I = V/250$).



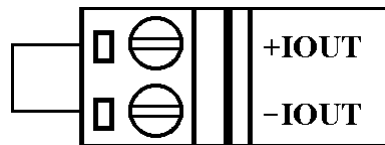
- 2 Warm-Up for 30 minutes.
- 3 Setting type to 30. (0 to 20mA) -> Refer *Sec.2.1.*
- 4 Output 4mA. -> Refer *Sec.2.7.*
- 5 Check the meter and trim the output until 4mA match by apply trim command. -> Refer *Sec.2.10.*
- 6 Perform 4mA Calibration Command. -> Refer *Sec.2.8.*
- 7 Output 20mA. -> Refer *Sec.2.7.*
- 8 Check the meter and trim the output until 20mA match by apply trim command. -> Refer *Sec.2.10*
- 9 Perform 20mA Calibration Command. -> Refer *Sec.2.9.*

I-7021/21P Voltage Output Calibration Sequence :

- 1 Connect volt-meter to module's voltage output.



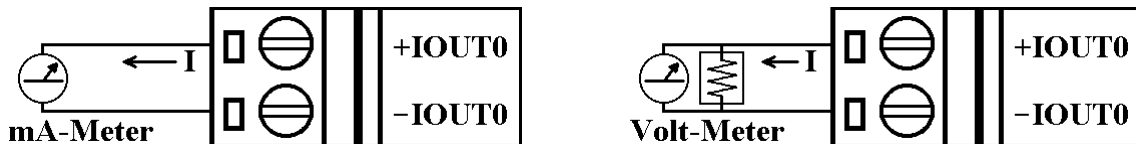
Short the current output pin for the readback requirement.



- 2 Warm-Up for 30 minutes.
- 3 Setting type to 32. (0 to 10V) -> Refer *Sec.2.1.*
- 4 Output 10V. -> Refer *Sec.2.7.*
- 5 Check the meter and trim the output until 10V match by apply trim command. -> Refer *Sec.2.10.*
- 6 Perform 10V Calibration Command. -> Refer *Sec.2.13.*

I-7022 Current Output Calibration Sequence :

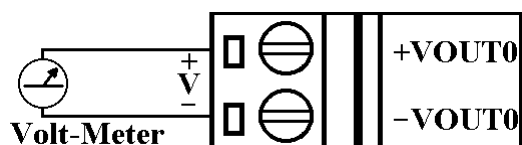
- 1 Set the jumper to internal power and connect mA-meter to module's current output channel 0. If no mA-meter, you may use Volt-Meter with shunt resistor(250 ohms, 0.1%), and calculate the mA by the Volt-Meter value ($I = V/250$).



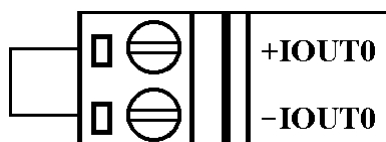
- 2 Warm-Up for 30 minutes.
- 3 Setting output type to 0. (0 to 20mA) -> Refer *Sec.2.24*.
- 4 Output 4mA. -> Refer *Sec.2.15*.
- 5 Check the meter and trim the output until 4mA match by apply trim command. -> Refer *Sec.2.18*.
- 6 Perform 4mA Calibration Command. -> Refer *Sec.2.16*.
- 7 Output 20mA. -> Refer *Sec.2.15*.
- 8 Check the meter and trim the output until 20mA match by apply trim command. -> Refer *Sec.2.18*.
- 9 Perform 20mA Calibration Command. -> Refer *Sec.2.17*.
- 10 Repeat step 1 to 9 for channel 1.

I-7022 Voltage Output Calibration Sequence :

- 1 Connect volt-meter to module's voltage output channel 0.



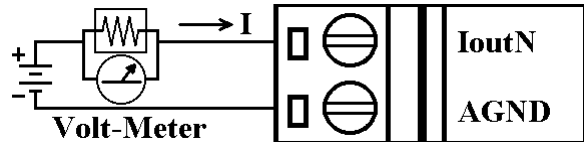
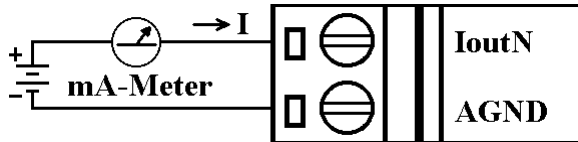
Short the current output pin for the readback requirement.



- 2 Warm-Up for 30 minutes.
- 3 Setting Output type to 2. (0 to 10V) -> Refer *Sec.2.24*.
- 4 Output 10V. -> Refer *Sec.2.15*.
- 5 Check the meter and trim the output until 10V match by apply trim command. -> Refer *Sec.2.18*.
- 6 Perform 10V Calibration Command. -> Refer *Sec.2.21*.
- 7 Repeat step 1 to 6 for channel 1.

I-7024 Current Output Calibration Sequence :

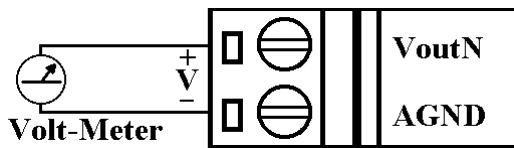
- 1 Connect meter and external power source to module's current output channel 0.



- 2 Warm-Up for 30 minutes.
- 3 Setting type to 30. (0 to 20mA) -> Refer *Sec.2.1*.
- 4 Output 0mA. -> Refer *Sec.2.15*.
- 5 Check the meter and trim the output until 0mA match by apply trim command. -> Refer *Sec.2.18*.
- 6 Perform 0mA Calibration Command. -> Refer *Sec.2.16*.
- 7 Output 20mA. -> Refer *Sec.2.15*.
- 8 Check the meter and trim the output until 20mA match by apply trim command. -> Refer *Sec.2.18*.
- 9 Perform 20mA Calibration Command. -> Refer *Sec.2.17*.
- 10 Repeat 1 to 9 for channel 1, 2 and 3.

I-7024 Current Output Calibration Sequence :

- 1 Connect meter to module's voltage output channel 0.



- 2 Warm-Up for 30 minutes.
- 3 Setting type to 33. (-10 to 10V) -> Refer *Sec.2.1*.
- 4 Output -10V. -> Refer *Sec.2.15*.
- 5 Check the meter and trim the output until -10V match by apply trim command. -> Refer *Sec.2.18*.
- 6 Perform -10V Calibration Command. -> Refer *Sec.2.16*.
- 7 Output 10V. -> Ref *Sec.2.15*.
- 8 Check the meter and trim the output until 10V match by apply trim command. -> Ref *Sec.2.18*.
- 9 Perform 10V Calibration Command. -> Ref *Sec.2.17*.
- 10 Repeat 1 to 9 for channel 1, 2 and 3.

1.10 Configuration Tables

Baudrate Setting (CC)

Code	03	04	05	06	07	08	09	0A
Baudrate	1200	2400	4800	9600	19200	38400	57600	115200

Analog Output Type Setting (TT)

Type Code	30	31	32	33	34	35	3F
Min. Output	0 mA	4 mV	0 V	-10 V	0 V	-5 V	-
Max. Output	20 mA	20 mA	+10 V	+10 V	+5 V	+5 V	-
Note	For I-7021/21P/24			For I-7024 only			For I-7022 only

Data Format Setting (FF)

7	6	5	4	3	2	1	0
0	*1	*2				*3	

*1 :Checksum Bit : 0=Disable, 1=Enable

*2 :Slew Rate Control :

for I-7021/21P and I-7024, Refer *Sec.3.6* for detail

for I-7022, set to 0

*3 :00 = Engineer Unit Format

01 = Percent of Span Format (For I-7021/21P/22)

10 = Hexadecimal Format (For I-7021/21P/22)

Slew Rate for I-7021/21P and I-7024					
	V/Second	mA/Second		V/Second	mA/Second
0000	Immediate		1000	8.0	16.0
0001	0.0625	0.125	1001	16.0	32.0
0010	0.125	0.25	1010	32.0	64.0
0011	0.25	0.5	1011	64.0	128.0
0100	0.5	1.0	1100	128.0	256.0
0101	1.0	2.0	1101	256.0	512.0
0110	2.0	4.0	1110	512.0	1024.0
0111	4.0	8.0	1111	1024.0	2048.0
Note	The config 1111 is for I-7024 only				

Analog Output Type and Data Format for I-7021/21P				
Type Code	Output Range	Data Format	Max.	Min.
30	0 to 20 mA	Engineer Unit	20.000	00.000
		% of Span	+100.00	+000.00
		Hexadecimal	FFF	0000
31	4 to 20 mA	Engineer Unit	20.000	04.000
		% of Span	+100.00	+000.00
		Hexadecimal	FFF	0000
32	0 to 10 V	Engineer Unit	10.000	00.000
		% of Span	+100.00	+000.00
		Hexadecimal	FFF	0000

Analog Output Type and Data Format for I-7022				
Output Type	Output Range	Data Format	Max.	Min.
0	0 to 20 mA	Engineer Unit	20.000	00.000
		% of Span	+100.00	+000.00
		Hexadecimal	FFF	0000
1	4 to 20 mA	Engineer Unit	20.000	04.000
		% of Span	+100.00	+000.00
		Hexadecimal	FFF	0000
2	0 to 10 V	Engineer Unit	10.000	00.000
		% of Span	+100.00	+000.00
		Hexadecimal	FFF	0000

Analog Output Type and Data Format for I-7024				
Type Code	Output Range	Data Format	Max.	Min.
30	0 to 20 mA	Engineer Unit	+20.000	+00.000
31	4 to 20 mA	Engineer Unit	+20.000	+04.000
32	0 to 10 V	Engineer Unit	+10.000	+00.000
33	-10 to +10 V	Engineer Unit	+10.000	-10.000
34	0 to +5 V	Engineer Unit	+05.000	+00.000
35	-5 to +5 V	Engineer Unit	+05.000	-05.000

DA Configuration of I-7022

Analog Output Type (T)

- 0 0mA to 20mA current output
- 1 4mA to 20mA current output
- 2 0V to 10V voltage output

Slew Rate Control (S)

- 0 Immediate chang
- 1 0.0625V/Second or 0.125mA/Second
- 2 0.125V/Second or 0.25mA/Second
- 3 0.25V/Second or 0.5mA/Second
- 4 0.5V/Second or 1.0mA/Second
- 5 1.0V/Second or 2.0mA/Second
- 6 2.0V/Second or 4.0mA/Second
- 7 4.0V/Second or 8.0mA/Second
- 8 8.0V/Second or 16mA/Second
- 9 16V/Second or 32mA/Second
- A 32V/Second or 64mA/Second
- B 64V/Second or 128mA/Second
- C 128V/Second or 256mA/Second
- D 256V/Second or 512mA/Second
- E 512V/Second or 1024mA/Second

2. Command

Command Format : **(Leading)(Address)(Command)[CHK](cr)**

Response Format : **(Leading)(Address)(Data)[CHK](cr)**

[CHK] 2-character checksum

(cr) end-of-command character, character return(0x0D)

Calculate Checksum :

1. Calculate ASCII sum of all characters of command(or response) string except the character return(cr).
2. Mask the sum of string with 0ffh.

Example :

Command string : \$012(cr)

Sum of string = '\$'+‘0’+‘1’+‘2’ = 24h+30h+31h+32h = B7h

The checksum is B7h, and [CHK] = “B7”

Command string with checksum : \$012B7(cr)

Response string : !01300600(cr)

Sum of string : ‘!’+‘0’+‘1’+‘3’+‘0’+‘0’+‘6’+‘0’+‘0’

= 21h+30h+31h+33h+30h+30h+36h+30h+30h = 1ABh

The checksum is ABh, and [CHK] = “AB”

Response string with checksum : !01300600AB(cr)

General Command Sets			
Command	Response	Description	Section
%AANNTTCCFF	!AA	Set Module Configuration	<i>Sec.2.1</i>
\$AA2	!AANNTTCCFF	Read Configuration	<i>Sec.2.2</i>
\$AA5	!AAS	Read Reset Status	<i>Sec.2.3</i>
\$AAF	!AA(Data)	Read Firmware Version	<i>Sec.2.4</i>
\$AAM	!AA(Data)	Read Module Name	<i>Sec.2.5</i>
~AAO(Data)	!AA	Set Module Name	<i>Sec.2.6</i>

I-7021/21P Analog Output Command Sets			
Command	Response	Description	Section
#AA(Data)	>	Output Analog Value	<i>Sec.2.7</i>
\$AA0	!AA	4mA Calibration	<i>Sec.2.8</i>
\$AA1	!AA	20mA Calibration	<i>Sec.2.9</i>
\$AA3VV	!AA	Trim Calibration	<i>Sec.2.10</i>
\$AA4	!AA	Set PowerOn Value	<i>Sec.2.11</i>
\$AA6	!AA(Data)	Last Value Readback	<i>Sec.2.12</i>
\$AA7	!AA	10V Calibration	<i>Sec.2.13</i>
\$AA8	!AA(Data)	Current Readback	<i>Sec.2.14</i>

I-7022 Analog Output Command Sets (All command for specified channel N)			
Command	Response	Description	Section
#AAN(Data)	>	Output Analog Value	<i>Sec.2.15</i>
\$AA0N	!AA	4mA Calibration	<i>Sec.2.16</i>
\$AA1N	!AA	20mA Calibration	<i>Sec.2.17</i>
\$AA3NVV	!AA	Trim Calibration	<i>Sec.2.18</i>
\$AA4N	!AA	Set PowerOn Value	<i>Sec.2.19</i>
\$AA6N	!AA(Data)	Last Value Readback	<i>Sec.2.20</i>
\$AA7N	!AA	10V Calibration	<i>Sec.2.21.1</i>
\$AA8N	!AA(Data)	Current Readback	<i>Sec.2.22</i>
\$AA9N	!AATS	Read DA Configuration	<i>Sec.2.23</i>
\$AA9NTS	!AA	Set DA Configuration	<i>Sec.2.24</i>

**I-7024 Analog Output Command Sets
(All commands for specified channel N)**

Command	Response	Description	Section
#AAN(Data)	>	Output Analog Value	<i>Sec.2.15</i>
\$AA0N	!AA	0mA/-10V Calibration	<i>Sec.2.16</i>
\$AA1N	!AA	20mA/10V Calibration	<i>Sec.2.17</i>
\$AA3NVV	!AA	Trim Calibration	<i>Sec.2.18</i>
\$AA4N	!AA	Set PowerOn Value	<i>Sec.2.19</i>
\$AA6N	!AA(Data)	Last Value Readback	<i>Sec.2.20</i>
\$AA7N	!AA	Read PowerOn Value	<i>Sec.2.21.2</i>
\$AA8N	!AA(Data)	Current Value Readback	<i>Sec.2.22</i>

Host Watchdog Related Command Sets

Command	Response	Description	Section
~**	No Response	Host OK	<i>Sec.2.25</i>
~AA0	!AASS	Read Module Status	<i>Sec.2.26</i>
~AA1	!AA	Reset Module Status	<i>Sec.2.27</i>
~AA2	!AAVV	Read Host Watchdog Timeout Value	<i>Sec.2.28</i>
~AA3EVV	!AA	Set Host Watchdog Timeout Value	<i>Sec.2.29</i>
~AA4	!AA(Data)	Read Safe Value	<i>Sec.2.30</i>
~AA4N	!AA(Data)	Read Safe Value of Channel N	<i>Sec.2.31</i>
~AA5	!AA	Set Safe Value	<i>Sec.2.32</i>
~AA5N	!AA	Set Safe Value of Channel N	<i>Sec.2.33</i>

2.1 %AANNTTCCFF

Description : Set module Configuration

Syntax : %AANNTTCCFF[CHK](cr)

% delimiter character

AA address of setting module (00 to FF)

NN new address for setting module (00 to FF)

TT new type for setting module (Ref *Sec.1.10*)

CC new baudrate for setting module (Ref *Sec.1.10*)

FF new data format for setting module (Ref *Sec.1.10*)

When changing the baudrate or checksum, it is necessary to short the pin INIT* to ground.

Response : Valid Command : !AA[CHK](cr)

Invalid Command : ?AA[CHK](cr)

Syntax error or communication error may get no response.

! delimiter for valid command

? delimiter for invalid command. While changing baudrate or checksum setting without shorting INIT* to ground, the module will return invalid command.

AA address of response module (00 to FF)

Example :

Command : %0102300600 Receive : !02

Change address from 01 to 02, return success.

Related Command :

Sec.2.2 \$AA2

Related Topics :

Sec.1.10 Configuration Tables, Sec.3.1 INIT pin Operation*

2.2 \$AA2

Description : Read Configuration

Syntax : \$AA2[CHK](cr)

\$ delimiter character

AA address of reading module (00 to FF)

2 command for reading configuration

Response : Valid Command : !AATTCCFF[CHK](cr)

Invalid Command : ?AA[CHK](cr)

Syntax error or communication error may get no response.

! delimiter for valid command

? delimiter for invalid command

AA address of response module (00 to FF)

TT type code of module (reference *Sec.1.10*)

CC baudrate code of module (reference *Sec.1.10*)

FF data format of module (reference *Sec.1.10*)

Example :

Command : \$012

Receive : !01300600

Read configuration of module in address 01, which is an I-7021 module, return analog output 0 to 20mA, baudrate 9600bps, no checksum, engineer unit format and output change immediate.

Related Command :

Sec.2.1 %AANNTTCCFF

Related Topics :

Sec.1.10 Configuration Tables, *Sec3.1* INIT* pin Operation

2.3 \$AA5

Description : Read Reset Status

Command : \$AA5[CHK](cr)

\$ delimiter character

AA address of reading module (00 to FF)

5 command for reading reset status

Response : Valid Command : !AAS[CHK](cr)

Invalid Command : ?AA[CHK](cr)

Syntax error or communication error may get no response.

! delimiter for valid command

? delimiter for invalid command

AA address of response module (00 to FF)

S reset status, 1 = the module is been reseted, 0 = the module is not been reseted

Example :

Command : \$015 Receive : !011

Read address 01 reset status, return first read.

Command : \$015 Receive : !010

Read address 01 reset status, return no reset occurred.

Related Topics :

Sec3.4 Reset Status

2.4 \$AAF

Description : Read Firmware Version

Syntax : \$AAF[CHK](cr)

\$ delimiter character

AA address of reading module (00 to FF)

F command for reading firmware version

Response : Valid Command : **!AA(Data)[CHK](cr)**

Invalid Command : **?AA[CHK](cr)**

Syntax error or communication error may get no response.

! delimiter for valid command

? delimiter for invalid command

AA address of response module (00 to FF)

(Data) firmware version of module

Example :

Command : \$01F Receive : !01A2.0

Read address 01 firmware version, return version A2.0.

Command : \$02F Receive : !01B1.1

Read address 02 firmware version, return version B1.1.

2.5 \$AAM

Description : Read Module Name

Syntax : \$AAM[CHK](cr)

\$ delimiter character

AA address of reading module (00 to FF)

M command for reading module name

Response : Valid Command : !AA(Data)[CHK](cr)

Invalid Command : ?AA[CHK](cr)

Syntax error or communication error may get no response.

! delimiter for valid command

? delimiter for invalid command

AA address of response module (00 to FF)

(Data) Name of module

Example :

Command : \$01M Receive : !017021

Read address 01 module name, return name 7021.

Command : \$03M Receive : !037021P

Read address 03 module name, return name 7021P.

Related Command :

Sec.2.6 ~AAO(Data)

2.6 ~AAO(Data)

Description : Set Module Name

Syntax : ~AAO(Data)[CHK](cr)

~ delimiter character

AA address of setting module (00 to FF)

O command for setting module name

(Data) new name for module, max 6 characters

Response : Valid Command : !AA[CHK](cr)

Invalid Command : ?AA[CHK](cr)

Syntax error or communication error may get no response.

! delimiter for valid command

? delimiter for invalid command

AA address of response module (00 to FF)

Example :

Command : ~01O7021 Receive : !01

Set address 01 module name to 7021, return success.

Command : \$01M Receive : !017021

Read address 01 module name, return 7021.

Related Command :

Sec.2.5 \$AAM

2.7 #AA(Data)

Description : Output Analog Value

Syntax : #AA(Data)[CHK](cr)

delimiter character

AA address of output module (00 to FF)

(Data) analog output value, reference *Sec.1.10* for its format.

Response : Valid Command : >[CHK](cr)

Out of Range : ?[CHK](cr)

Ignore Command : ![CHK](cr)

Syntax error or communication error may get no response.

> delimiter for valid command

? delimiter while the (Data) is out of range, and the output will goto the closest value in the setting of module's range.

! delimiter for the module's host watchdog flag is set, and the output command will be ignored and the output is set to Safe Value.

Example :

Command : \$012 Receive : !01300600

Read address 01 configuration, return output type 0 to 20mA, engineer unit format and output change immediate.

Command : #0105.000 Receive : >

Output address 01 value 5.0mA, return success.

Command : #0125.000 Receive : ?01

Output address 01 value 25.0mA, return the value is out of range, and the output is set to the 20.0mA.

Command : \$022 Receive : !02300601

Read address 02 configuration, return output type 0 to 20mA,
percent of span format, output change immediate.

Command : #02+050.00 Receive : >

Output address 02 value 50% (=10mA), return success.

Command : \$032 Receive : !02300602

Read address 03 configuration, return output type 0 to 20mA,
hexadecimal format, output change immediate.

Command : #03800 Receive : >

Output address 03 value 0x800 (=10mA), return success.

Related Command :

Sec.2.1 %AANN TTCCFF, Sec.2.2 \$AA2

Related Topics :

Sec.1.10 Configuration Tables, Sec.3.5 Analog Output

Note : The command is for I-7021/21P only

2.8 \$AA0

Description : Perform 4mA Calibration

Syntax : \$AA0[CHK](cr)

\$ delimiter character

AA address of setting module (00 to FF)

0 command for performing 4mA calibration

Response : Valid Command : !AA[CHK](cr)

Invalid Command : ?AA[CHK](cr)

Syntax error or communication error may get no response.

! delimiter for valid command

? delimiter for invalid command

AA address of response module (00 to FF)

Example :

Command : \$010 Receive : !01

Perform address 01 4mA calibration, return success.

Related Command :

Sec.2.9 \$AA1, Sec.2.10 \$AA3VV

Related Topics :

Sec.1.9 Calibration

Note : The command is for I-7021/21P only

2.9 \$AA1

Description : Perform 20mA Calibration

Syntax : \$AA1[CHK](cr)

\$ delimiter character

AA address of setting module (00 to FF)

1 command for performing 20mA calibration

Response : Valid Command : !AA[CHK](cr)

Invalid Command : ?AA[CHK](cr)

Syntax error or communication error may get no response.

! delimiter for valid command

? delimiter for invalid command

AA address of response module (00 to FF)

Example :

Command : \$011 Receive : !01

Perform address 01 20mA calibration, return success.

Related Command :

Sec.2.8 \$AA0, Sec.2.10 \$AA3VV

Related Topics :

Sec.1.9 Calibration

Note : The command is for I-7021/21P only

2.10 \$AA3VV

Description : Trim Calibration

Syntax : \$AA3VV[CHK](cr)

\$ delimiter character

AA address of setting module (00 to FF)

3 command for trimming calibration

VV 2's complement hexadecimal to trim the analog output value. 00 to 5F to increase 0 to 95 counts, and FF to A1 to decrease 1 to 95 counts. Each count indicates 4.88 μ A or 2.44mV.

Response : Valid Command : !AA[CHK](cr)

Invalid Command : ?AA[CHK](cr)

Syntax error or communication error may get no response.

! delimiter for valid command

? delimiter for invalid command

AA address of response module (00 to FF)

Example :

Command : \$0131F Receive : !01

Trim address 01 output to increase 31 counts, return success.

Related Command :

Sec.2.8 \$AA0, Sec.2.9 \$AA1, Sec.2.13 \$AA7

Related Topics :

Sec.1.9 Calibration

Note : The command is for I-7021/21P only

2.11 \$AA4

Description : Set PowerOn Value

Syntax : \$AA4[CHK](cr)

\$ delimiter character

AA address of setting module (00 to FF)

4 command for setting PowerOn Value. Store the current output value as PowerOn Value.

Response : Valid Command : !AA[CHK](cr)

Invalid Command : ?AA[CHK](cr)

Syntax error or communication error may get no response.

! delimiter for valid command

? delimiter for invalid command

AA address of response module (00 to FF)

Example :

Command : #0100.000 Receive : >

Set address 01 output 0.0mA, return success.

Command : \$014 Receive : !01

Set address 01 PowerOn Value, return success. The module 01 will goto 0.0mA while the moudule power on.

Related Command :

Sec.2.7 #AA(Data)

Related Topics :

Sec.3.5 Analog Output

Note : The command is for I-7021/21P only

2.12 \$AA6

Description : Last Value Readback

Syntax : \$AA6[CHK](cr)

\$ delimiter character

AA address of reading module (00 to FF)

6 command for reading last output command value

Response : Valid Command : !AA(Data)[CHK](cr)

Invalid Command : ?AA[CHK](cr)

Syntax error or communication error may get no response.

! delimiter for valid command

? delimiter for invalid command

AA address of response module (00 to FF)

(Data) the last output command value. If no output applied to the module, the (Data) is the PowerOn Value of the module.

Refer *Sec.1.10* for format.

Example :

Command : #0110.000 Receive : !01

Set address 01 output 10.0, return success.

Command : \$016 Receive : !0110.000

Read address 01 last output command value, return 10.000.

Related Command :

Sec.2.7 #AA(Data), *Sec.2.14* \$AA8

Related Topics :

Sec.3.7 Current Readback

Note : The command is for I-7021/21P only

2.13 \$AA7

Description : Perform 10V Calibration

Syntax : \$AA7[CHK](cr)

\$ delimiter character

AA address of setting module (00 to FF)

1 command for performing 10V calibration

Response : Valid Command : !AA[CHK](cr)

Invalid Command : ?AA[CHK](cr)

Syntax error or communication error may get no response.

! delimiter for valid command

? delimiter for invalid command

AA address of response module (00 to FF)

Example :

Command : \$017 Receive : !01

Perform address 01 10V calibration, return success.

Related Command :

Sec.2.10 \$AA3VV

Related Topics :

Sec.1.9 Calibration

Note : The command is for I-7021/21P only

2.14 \$AA8

Description : Current Readback

Syntax : \$AA6[CHK](cr)

\$ delimiter character

AA address of reading module (00 to FF)

8 command for current readback

Response : Valid Command : !AA(Data)[CHK](cr)

Invalid Command : ?AA[CHK](cr)

Syntax error or communication error may get no response.

! delimiter for valid command

? delimiter for invalid command

AA address of response module (00 to FF)

(Data) the current output value. Refer *Sec.1.9* for format.

Example :

Command : \$012 Receive : !01320614

Read address 01 configuration, return output type 0 to 10V,
9600 bps, engineer unit format and slew rate is 1.0V/Second.

Command : #0110.000 Receive : !01

Set address 01 output 10.0V, return success.

Command : \$016 Receive : !0110.000

Read address 01 last output command value, return 10.000.

Command : \$018 Receive : !0101.000

Read address 01 current value, return 1.0V.

Command : \$018 Receive : !0101.500

Read address 01 current value, return 1.5V.

Related Command :

Sec.2.7 #AA(Data), Sec.2.12 \$AA6

Related Topics :

Sec.3.6 Slew Rate Control, Sec.3.7 Current Readback

Note : The command is for I-7021/21P only

2.15 #AAN(Data)

Description : Output Analog Value for Channel N

Syntax : #AAN(Data)[CHK](cr)

delimiter character

AA address of output module (00 to FF)

N output channel (0 to 1 for I-7022, 0 to 3 for I-7024)

(Data) analog output value, reference *Sec.1.10* for its format.

Response : Valid Command : >[CHK](cr)

Invalid Command : ?AA[CHK](cr)

Ignore Command : ![CHK](cr)

Syntax error or communication error may get no response.

> delimiter for valid command

? delimiter for invalid command. While the (Data) is out of range, and the output will goto the most closest value in the setting of module's range.

! delimiter for the module's host watchdog status is set, and the output command will be ignored.

AA address of response module (00 to FF)

Example for I-7022 :

Command : \$012 Receive : !013F0600

Read address 01 configuration, return multi-channel output, 9600 bps and engineer unit format.

Command : \$0190 Receive : !0110

Read address 01 channel 0 DA configuration, return 4 to 20mA output and change immediate.

Command : #01005.000 Receive : >

Output address 01 channel 0 value 5.0mA, return success.

Command : #01025.000 Receive : ?01

Output address 01 channel 0 value 25mA, return out of range,
and the output of channel 0 is set to the 20.0mA

Example for I-7024 :

Command : \$012 Receive : !01300600

Read address 01 configuration, return type 0 to 20mA, 9600
bps and engineer unit format, output change immediate.

Command : #010+05.000 Receive : >

Output address 01 channel 0 value 5.0mA, return success.

Command : #010+25.000 Receive : ?01

Output address 01 channel 0 value 25.0mA, return the value is
out of range, and the output of channel 0 is set to the 20.0mA.

Related Command :

Sec.2.1 %AANN TTCCFF, Sec.2.2 \$AA2

Related Topics :

Sec.1.10 Configuration Tables, Sec.3.5 Analog Output

Note : The command is for I-7022 and I-7024 only

2.16 \$AA0N

Description :

I-7022 : Perform 4mA Calibration for Channel N

I-7024 : Perform 0mA/-10V Calibration for Channel N

Syntax : \$AA0N[CHK](cr)

\$ delimiter character

AA address of setting module (00 to FF)

0 command for performing 4mA (or 0mA/-10V) calibration

N channel to calibrate (0 to 1 for I-7022, 0 to 3 for I-7024)

Response : Valid Command : !AA[CHK](cr)

Invalid Command : ?AA[CHK](cr)

Syntax error or communication error may get no response.

! delimiter for valid command

? delimiter for invalid command

AA address of response module (00 to FF)

Example :

Command : \$0101 Receive : !01

Perform address 01 channel 1 calibration(4mA for I-7022, 0mA or -10.0V for I-7024), return success.

Related Command :

Sec.2.17 \$AA1N, Sec.2.18 \$AA3NVV

Related Topics :

Sec.1.9 Calibration

Note : The command is for I-7022 and I-7024 only

2.17 \$AA1N

Description :

I-7022 : Perform 20mA Calibration for Channel N

I-7024 : Perform 20mA/+10V Calibration for Channel N

Syntax : \$AA1N[CHK](cr)

\$ delimiter character

AA address of setting module (00 to FF)

1 command for perform 20mA(or +10V) calibration

N channel to calibrate (0 to 1 for I-7022, 0 to 3 for I-7024)

Response : Valid Command : !AA[CHK](cr)

Invalid Command : ?AA[CHK](cr)

Syntax error or communication error may get no response.

! delimiter for valid command

? delimiter for invalid command

AA address of response module (00 to FF)

Example :

Command : \$0112 Receive : !01

Perform address 01 channel 1 calibration(20mA for I-7022, 20mA or 10.0V for I-7024), return success.

Related Command :

Sec.2.16 \$AA0N, Sec.2.18 \$AA3NVV

Related Topics :

Sec.1.9 Calibration

Note : The command is for I-7022 and I-7024 only

2.18 \$AA3NVV

Description : Trim Calibration for Channel N

Syntax : \$AA3NVV[CHK](cr)

\$ delimiter character

AA address of setting module (00 to FF)

3 command for trimming calibration

N channel to trim (0 to 1 for I-7022, 0 to 3 for I-7024)

VV 2's complement hexadecimal to trim the analog output value. 00 to 5F to increase 0 to 95 counts, and FF to A1 to decrease 1 to 95 counts. Each count indicates 0.3 μ A or 0.15mV for I-7022 and 2.44 μ A or 1.22mV for I-7024.

Response : Valid Command : !AA[CHK](cr)

Invalid Command : ?AA[CHK](cr)

Syntax error or communication error may get no response.

! delimiter for valid command

? delimiter for invalid command

AA address of response module (00 to FF)

Example :

Command : \$01321F Receive : !01

Trim address 01 channel 2 output 31 counts, return success.

Related Command :

Sec.2.16 \$AA0N, Sec.2.17 \$AA1N

Related Topics :

Sec.1.9 Calibration

Note : The command is for I-7022 and I-7024 only

2.19 \$AA4N

Description : Set PowerOn Value for Channel N

Syntax : \$AA4N[CHK](cr)

\$ delimiter character

AA address of setting module (00 to FF)

4 command for setting PowerOn Value, store the current output value as PowerOn Value.

N channel to set (0 to 1 for I-7022, 0 to 3 for I-7024)

Response : Valid Command : !AA[CHK](cr)

Invalid Command : ?AA[CHK](cr)

Syntax error or communication error may get no response.

! delimiter for valid command

? delimiter for invalid command

AA address of response module (00 to FF)

Example for I-7024 :

Command : #012+00.000 Receive : >

Set address 01 channel 2 output 0.0, return success.

Command : \$0142 Receive : !01

Set address 01 channel 2 PowerOn Value, return success. The PowerOn Value of channel 2 is set to 0.0 now.

Related Command :

Sec.2.15 #AAN(Data), Sec.2.21 \$AA7N

Related Topics :

Sec.1.10 Configuration Tables, Sec.3.5 Analog Output

Note : The command is for I-7022 and I-7024 only

2.20 \$AA6N

Description : Last Value of Channel N Readback

Syntax : \$AA6N[CHK](cr)

\$ delimiter character

AA address of reading module (00 to FF)

6 command for reading last output command value

N channel to readback (0 to 1 for I-7022, 0 to 3 for I-7024)

Response : Valid Command : !AA(Data)[CHK](cr)

Invalid Command : ?AA[CHK](cr)

Syntax error or communication error may get no response.

! delimiter for valid command

? delimiter for invalid command

AA address of response module (00 to FF)

(Data) the last output command value. Refer *Sec.1.9* for format.

Example for I-7024 :

Command : #013+10.000 Receive : !01

Set address 01 channel 3 output 10.0, return success.

Command : \$0163 Receive : !01+10.000

Read address 01 channel 3 last output command value, return 10.000.

Related Command :

Sec.2.15 #AAN(Data), *Sec.2.22* \$AA8N

Related Topics :

Sec.3.7 Current Readback

Note : The command is for I-7022 and I-7024 only

2.21.1 \$AA7N

Description : Perform 10V Calibration for Channel N

Syntax : \$AA7N[CHK](cr)

\$ delimiter character

AA address of reading module (00 to FF)

7 command for performing 10V calibration

N channel to calibrate (0 to 1)

Response : Valid Command : !AA[CHK](cr)

Invalid Command : ?AA[CHK](cr)

Syntax error or communication error may get no response.

! delimiter for valid command

? delimiter for invalid command

AA address of response module (00 to FF)

Example :

Command : \$0170 Receive : !01

Perform address 01 channel 0 10V calibration, return success.

Related Command :

Sec.2.16 \$AA0N, Sec.2.17 \$AA1N

Related Topics :

Sec.1.9 Calibration

Note : The command is for I-7022 only

2.21.2 \$AA7N

Description : Read PowerOn Value of Channel N

Syntax : \$AA7N[CHK](cr)

\$ delimiter character

AA address of reading module (00 to FF)

7 command for reading PowerOn Value

N channel to readback (0 to 3)

Response : Valid Command : !AA(Data)[CHK](cr)

Invalid Command : ?AA[CHK](cr)

Syntax error or communication error may get no response.

! delimiter for valid command

? delimiter for invalid command

AA address of response module (00 to FF)

(Data) the last output command value. Ref *Sec.1.9* for the format.

Example :

Command : \$0170 Receive : !01+00.000

Read address 01 channel 0 PowerOn Value, return +10.0.

Related Command :

Sec.2.19 \$AA4N

Note : The command is for I-7024 only

2.22 \$AA8N

Description : Current Value of Channel N Readback

Syntax : \$AA8N[CHK](cr)

\$ delimiter character

AA address of reading module (00 to FF)

8 command for read current output value

N channel to readback (0 to 1 for I-7022, 0 to 3 for I-7024)

Response : Valid Command : !AA(Data)[CHK](cr)

Invalid Command : ?AA[CHK](cr)

Syntax error or communication error may get no response.

! delimiter for valid command

? delimiter for invalid command

AA address of response module (00 to FF)

(Data) the last output command value. Refer *Sec.1.9* for format.

Example for I-7024 :

Command : \$012 Receive : !01320614

Read address 01 configuration, return output type 0 to 10V, 9600 bps, engineer unit format and slew rate is 1.0V/Second.

Command : #010+10.000 Receive : !01

Set address 01 channel 0 output 10.0V, return success.

Command : \$0160 Receive : !01+10.000

Read address 01 channel 0 last output command value, return 10.000.

Command : \$0180 Receive : !01+01.000

Read address 01 channel 0 current value, return 1.0V.

Command : \$0180

Receive : !01+01.500

Read address 01 channel 0 current value, return 1.5V.

Related Command :

Sec.2.15 #AAN(Data), Sec.2.20 \$AA6N

Related Topics :

Sec.3.7 Current Readback

Note : The command is for I-7022 and I-7024 only

2.23 \$AA9N

Description : Read DA Configuration of Channel N

Syntax : \$AA9N[CHK](cr)

\$ delimiter character

AA address of reading module (00 to FF)

9 command for reading DA configuration

N channel to read DA configuration (0 to 1)

Response : Valid Command : !AATS[CHK](cr)

Invalid Command : ?AA[CHK](cr)

Syntax error or communication error may get no response.

! delimiter for valid command

? delimiter for invalid command

AA address of response module (00 to FF)

T analog output type. Refer *Sec.1.10* for format

S analog output slewrate. Refer *Sec.1.10* for format

Example :

Command : \$0190 Receive : !0110

Read address 01 channel 0 DA configuration, return 4 to 20mA output and change immediate.

Related Command :

Sec.2.24 \$AA9NTS

Note : The command is for I-7022 only

2.24 \$AA9NTS

Description : Set DA Configuration of Channel N

Syntax : \$AA9NTS[CHK](cr)

\$ delimiter character

AA address of reading module (00 to FF)

9 command for setting DA configuration

N channel to set DA configuration (0 to 1)

T analog output type. Refer *Sec.1.10* for type select

S analog output slewrate. Refer *Sec.1.10* for slew rate select

Response : Valid Command : !AA[CHK](cr)

Invalid Command : ?AA[CHK](cr)

Syntax error or communication error may get no response.

! delimiter for valid command

? delimiter for invalid command

AA address of response module (00 to FF)

Example :

Command : \$019121 Receive : !01

Set address 01 channel 1 DA configuration : 0 to 10V output and slew rate 0.625V/Second, return success.

Related Command :

Sec.2.23 \$AA9N

Note : The command is for I-7022 only

2.26 ~AA0

Description : Read Module Status

Syntax : ~AA0[CHK](cr)

~ delimiter character

AA address of reading module (00 to FF)

0 command for reading module status

Response : Valid Command : !AASS[CHK](cr)

Invalid Command : ?AA[CHK](cr)

Syntax error or communication error may get no response.

! delimiter for valid command

? delimiter for invalid command

AA address of response module(00 to FF)

SS Module Status. The status will store into EEPROM and only may reset by the command ~AA1.

7	6	5	4	3	2	1	0
*1	Reserved				*2	Reserved	

*1 : Host watchdog enable flag, 0=Disable, 1=Enable

*2 : Host watchdog timeout flag, 0=Clear, 1=Set

Example :

Command : ~010

Receive : !0104

Read address 01 module status, return 04, host watchdog timeout flag is set.

Related Command :

Sec.2.27 ~AA1, Sec2.29 ~AA3E VV

Related Topic :

Sec.3.2 Module Status, Sec.3.3 Dual Watchdog Operation

2.27 ~AA1

Description : Reset Module Status

Command : ~AA1[CHK](cr)

~ delimiter character

AA address of setting module (00 to FF)

1 command for reset module status

Response : Valid Command : !AA[CHK](cr)

Invalid Command : ?AA[CHK](cr)

Syntax error or communication error may get no response.

! delimiter for valid command

? delimiter for invalid command

AA address of response module (00 to FF)

Example :

Command : ~010 Receive : !0104

Read address 01 module status, return 04, host watchdog timeout flag is set.

Command : ~011 Receive : !01

Reset address 01 module status, return success.

Command : ~010 Receive : !0100

Read address 01 module status, return 00, Module Status is clear.

Related Command :

*Sec.2.25 ~**, Sec.2.26 ~AA0*

Related Topic :

Sec.3.2 Module Status, Sec.3.3 Dual Watchdog Operation

2.28 ~AA2

Description : Read Host Watchdog Timeout Interval

Command : ~AA2[CHK](cr)

~ delimiter character

AA address of reading module (00 to FF)

2 command for reading host watchdog timeout interval

Response : Valid Command : !AAEVV[CHK](cr)

Invalid Command : ?AA[CHK](cr)

Syntax error or communication error may get no response.

! delimiter for valid command

? delimiter for invalid command

AA address of response module (00 to FF)

E 1=Enable/0=Disable host watchdog

VV timeout interval in hexadecimal format, count for 0.1 second, 01=0.1 second and FF=25.5 seconds

Example :

Command : ~012

Receive : !010FF

Read address 01 host watchdog timeout interval, return host watchdog disable, and time interval is 25.5 seconds.

Related Command :

*Sec.2.25 ~**, Sec.2.26 ~AA0, Sec.2.27 ~AA1, Sec.2.29 ~AA3EVV, Sec.2.30 ~AA4, Sec.2.31 ~AA4N, Sec.2.32 ~AA5, Sec.2.33 ~AA5N*

Related Topic :

Sec.3.2 Module Status, Sec.3.3 Dual Watchdog Operation

2.29 ~AA3E VV

Description : Set Host Watchdog Timeout Interval

Command : ~AA3E VV[CHK](cr)

~ delimiter character

AA address of setting module (00 to FF)

3 command for setting host watchdog timeout value

E 1=Enable/0=Disable host watchdog

VV timeout interval, from 01 to FF, each for 0.1 second

Response : Valid Command : !AA[CHK](cr)

Invalid Command : ?AA[CHK](cr)

Syntax error or communication error may get no response.

! delimiter for valid command

? delimiter for invalid command

AA address of response module (00 to FF)

Example :

Command : ~010 Receive : !0100

Read address 01 module status, return host watchdog timeout flag is clear and host watchdog is disabled.

Command : ~013164 Receive : !01

Set address 01 host watchdog timeout interval 10.0 seconds and enable host watchdog, return success.

Command : ~012 Receive : !0164

Read address 01 host watchdog timeout interval, return 10.0 seconds.

Command : ~** Receive : no response

Reset the host watchdog timer.

Wait for about 10 seconds and don't send command ~**, the LED of module will go to flash.

Command : ~010 Receive : !0104

Read address 01 module status, return host watchdog timeout flag is set and host watchdog is disabled.

Command : ~011 Receive : !01

Reset address 01 module status, return success.

Related Command :

*Sec.2.25 ~**, Sec.2.26 ~AA0, Sec.2.27 ~AA1, Sec.2.28 ~AA2, Sec.2.30 ~AA4, Sec.2.31 ~AA4N, Sec.2.32 ~AA5, Sec.2.33 ~AA5N*

Related Topic :

Sec.3.2 Module Status, Sec.3.3 Dual Watchdog Operation

2.30 ~AA4

Description : Read Safe Value.

Command : ~AA4[CHK](cr)

~ delimiter character

AA address of reading module (00 to FF)

4 command for read Safe Value

Response : Valid Command : !AA(Data)[CHK](cr)

Invalid Command : ?AA[CHK](cr)

Syntax error or communication error may get no response.

! delimiter for valid command

? delimiter for invalid command

AA address of response module (00 to FF)

(Data) Safe Value of module. Refer *Sec.1.10* for data format

Example :

Command : ~014 Receive : !0105.000

Read address 01 Safe Value, return 5.0.

Related Command :

*Sec.2.25 ~***, *Sec.2.26 ~AA0*, *Sec.2.27 ~AA1*, *Sec.2.28 ~AA2*,
Sec.2.29 ~AA3Evv, *Sec.2.32 ~AA5*

Related Topic :

Sec.3.2 Module Status, *Sec.3.3* Dual Watchdog Operation

Note : The command is for I-7021/21P only

2.31 ~AA4N

Description : Read Safe Value of Channel N

Command : ~AA4N[CHK](cr)

~ delimiter character

AA address of reading module (00 to FF)

4 command for reading Safe Value

N channel to read (0 to 1 for I-7022, 0 to 3 for I-7024)

Response : Valid Command : !AA(Data)[CHK](cr)

Invalid Command : ?AA[CHK](cr)

Syntax error or communication error may get no response.

! delimiter for valid command

? delimiter for invalid command

AA address of response module (00 to FF)

(Data) Safe Value of module. Refer *Sec.1.10* for data format.

Example for I-7024 :

Command : ~0140 Receive : !01+00.000

Read address 01 channel 0 Safe Value, return +0.0.

Related Command :

*Sec.2.25 ~***, *Sec.2.26 ~AA0*, *Sec.2.27 ~AA1*, *Sec.2.28 ~AA2*,
Sec.2.29 ~AA3E, *Sec.2.33 ~AA5N*

Related Topic :

Sec.3.2 Module Status, *Sec.3.3* Dual Watchdog Operation

Note : The command is for I-7022 and I-7024 only

2.32 ~AA5

Description : Set Safe Value.

Command : ~AA5[CHK](cr)

~ delimiter character

AA address of setting module (00 to FF)

5 command to store current output as Safe Value

Response : Valid Command : !AA[CHK](cr)

Invalid Command : ?AA[CHK](cr)

Syntax error or communication error may get no response.

! delimiter for valid command

? delimiter for invalid command

AA address of response module (00 to FF)

Example :

Command : #0100.000 Receive : !01

Output address 01 value 0.0, return success.

Command : ~015 Receive : !01

Set address 01 Safe Value, return success.

Related Command :

*Sec.2.25 ~**, Sec.2.26 ~AA0, Sec.2.27 ~AA1, Sec.2.28 ~AA2, Sec.2.29 ~AA3Evv, Sec.2.30 ~AA4*

Related Topic :

Sec.3.2 Module Status, Sec.3.3 Dual Watchdog Operation

Note : The command is for I-7021/21P only

2.33 ~AA5N

Description : Set Safe Value of Channel N

Command : ~AA5N[CHK](cr)

~ delimiter character

AA address of setting module (00 to FF)

5 command to store current output as Safe Value

N channel to set (0 to 1 for I-7022, 0 to 3 for I-7024)

Response : Valid Command : !AA[CHK](cr)

Invalid Command : ?AA[CHK](cr)

Syntax error or communication error may get no response.

! delimiter for valid command

? delimiter for invalid command

AA address of response module (00 to FF)

Example for I-7024 :

Command : #010+05.000 Receive : !01

Output address 01 channel 0 value +5.0, return success.

Command : ~0150 Receive : !01

Set address 01 channel 0 Safe Value, return success.

Related Command :

*Sec.2.25 ~**, Sec.2.26 ~AA0, Sec.2.27 ~AA1, Sec.2.28 ~AA2, Sec.2.29 ~AA3Evv, Sec.2.31 ~AA4N*

Related Topic :

Sec.3.2 Module Status, Sec.3.3 Dual Watchdog Operation

Note : The command is for I-7022 and I-7024 only

3. Application Note

3.1 INIT* pin Operation

Each I-7000 module has a build-in EEPROM to store configuration information such as address, type, baudrate and other information. Sometimes, user may forget the configuration of the module. Therefore, the I-7000 have a special mode named “**INIT mode**”, to help user to resolve this problem. The “**INIT mode**” is setting as **Address=00, baudrate=9600bps, no checksum**

To enable INIT mode, please follow these steps:

Step1. Power off the module

Step2. Connect the INIT* pin with the GND pin

Step3. Power on

Step4. Send command \$002(cr) in 9600bps to read the configuration stored in the module’s EEPROM

Refer to “**7000 Bus Converter User Manual**” *Sec.5.1* and “**Getting Start**” for more information.

3.2 Module Status

PowerOn Reset or **Module Watchdog Reset** will let all output goto **PowerOn Value**. And the module may accept the host’s command to change the output value.

Host Watchdog Timeout will let all outputs goto **Safe Value**. The host watchdog timeout flag is set, and the output command will be ignored. The module’s LED will got to flash and user must reset the Module Status via command to goto normal operation.

3.3 Dual Watchdog Operation

Dual Watchdog = Module Watchdog + Host Watchdog

The Module Watchdog is a hardware reset circuit to monitor the module's operating status. While working in harsh or noisy environment, the module may be down by the external signal. The circuit may let the module to work continues and never halt.

The Host Watchdog is a software function to monitor the host's operating status. Its purpose is to prevent the network/communication from problem or host halt. While the timeout occurred, the module will turn the all outputs to Safe Value to prevent from unexpected problem of controlled target.

The I-7000 module with Dual Watchdog may let the control system more reliable and stable.

3.4 Reset Status

The Reset Status is set while the module power on or reset by Module Watchdog, and is cleared while the command read Reset Status (\$AA5) applied. This is useful for user to determine the module's working status. When Reset Status is set, that is to say the module is reseted and the output may be changed to the PowerOn Value. When the Reset Status is clear, that is to say the module is not reseted, and the output is not changed.

3.5 Analog Output

The module's output have 3 different condition :

<1> **Safe Value.** If the host watchdog timeout is set, the output is set to Safe Value. While the module receive the output

command, like #AA(Data) or #AAN(Data), the module will return ignore(receive:!) and will not change the output to the output command value. **The host watchdog timeout status is set and store into EEPROM while the host watchdog timeout interval expired, and only can be cleared by command ~AA1.** If user want to change the output, need to clear the host watchdog timeout status first, and send output command to change the output to desired value.

<2> **PowerOn Value.** Only the module reseted, and the host watchdog timeout status is clear, the module's output is set to predefined PowerOn Value.

<3> **Output Command Value.** If the host watchdog timeout status is clear, and user send command, #AA(Data) or #AAN(Data), to module to change the output value. The module will return success (receive >). If user set the output value over the maximum value of output range, the output will goto maximum value and return out of range(receive ?AA). If the output value is under the minimum value of output range, the output will goto minimum value and return out of range(receive ?AA).

3.6 Slew Rate Control

Slew rate control is to adjust the output slope. Most analog output change is instantaneous. In many applications this characteristic is undesirable and a gradual controlled output slew rate is more appropriate.

The I-7021/21P/22/24 allows programmable slew rate control. While the output command is sent to I-7021/21P/22/24 to

change the analog value, the output will automatically slope to the new value at the specified slew rate. The I-7021/21P/22/24 update the analog output value at 100 conversions per second. The output is smoothly stepped until the final output value is reached.

3.7 Current Readback

The I-7021/21P/22 have the analog-to-digit converter to monitor the current output signal. The current readback may find the fault of improper wiring or loads while the readback value is far from the output value.

The I-7024 don't have the analog-to-digit converter to monitor the current output signal. But the I-7024 may response the current digital value transferring to the DAC. It can't indicate the real DAC output value, and can't detect the falut of improper wiring or loads.