

I-7005

Features

- Input Type : Thermistor
- Input Channels: 8
- Thermistor Type : Precon ST-A3, Fenwell U, YSI L100, YSI L300, YSI L1000, YSI B2252, YSI B3000, YSI B5000, YSI B6000, YSI B10000, YSI H10000, YSI H30000, User-defined
- Resolution : 16-bits
- Accuracy : +/-0.1%
- Sampling Rate : 8 samples/second (Total)
- -3dB BandWidth : 5.24Hz
- Common Mode Rejection : Typical 86dB
- Voltage Input Impedance : >1M Ohms
- Individual Channel Configurable
- Wire Opening Detection
- Alarm Output Type : Open collector
- Alarm Output Channels: 6 (NPN, Sink)
Open collector to 30V, 100mA max. load (per channel)
- Isolation Voltage : 3000Vdc

Communication Interface

- RS-485

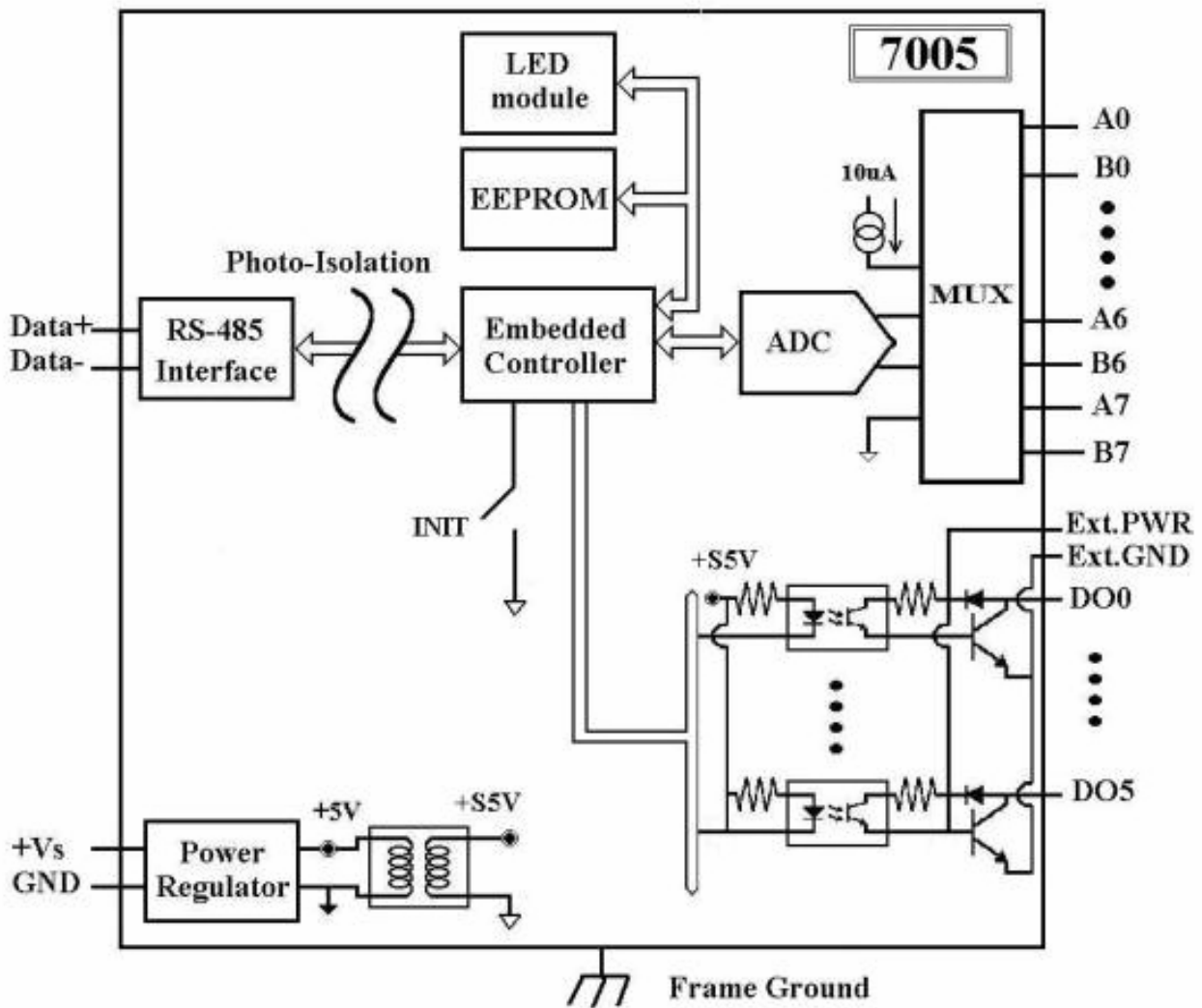
Power Supply

- Input Voltage Range : +10 ~ +30Vdc
- Power Consumption : 1.3W



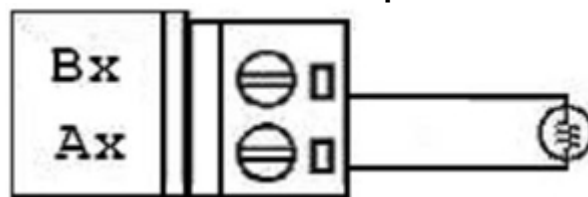
A7 1
 B7
 Ext. PWR
 Ext. GND
 D00
 D01
 D02
 D03
 D04
 D05
 (Y)DATA+
 (G)DATA-
 (R)+Vs
 (B)GND 14

28 B6
 A6
 B5
 A5
 B4
 A4
 B3
 A3
 B2
 A2
 B1
 A1
 B0
 15 A0

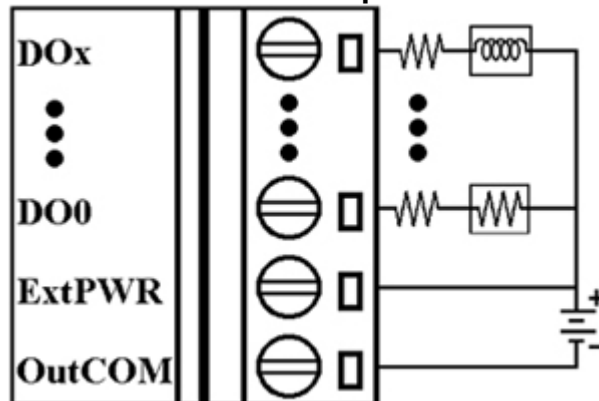


I-7005 Wire Connection

Thermistor Input



Alarm Output



LATIN TECH INC WWW.LT-AUTOMATION.COM

5209NW 74AV SUITE 202 MIAMI FL. 33166 PHONE: 305 593 8999 FAX: 7757195953