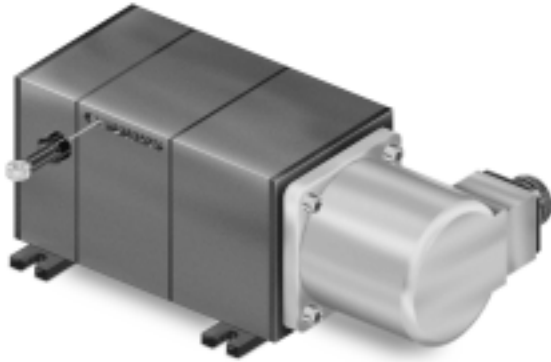


Cable-Extension Motion Conversion Module

- ▼ Industrial Grade – Short to Medium Range
- ▼ Mates With Virtually Any Encoder
- ▼ Pre-mated to Encoder or Separate Module

PT5600



Our unique linear-to-rotational, industrial-grade motion conversion module mates to virtually any encoder, giving you a cost-effective linear position measurement solution that precisely fits your requirements. The PT5600 takes just minutes to install, fits easily into tight areas, does not require perfectly parallel alignment, and provides reliable and precise position measurements without needing periodic adjustments.

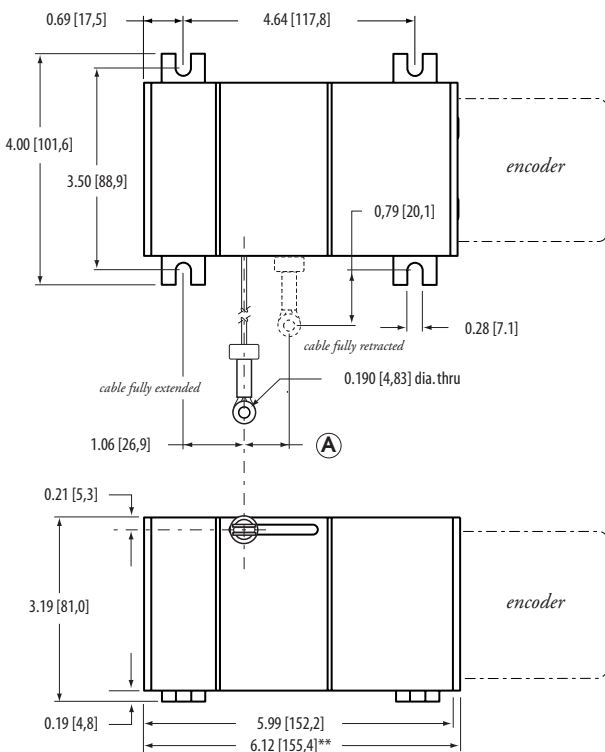
Specification Summary:

GENERAL

Full Stroke Ranges 0-50, 0-100, 0-150, 0-200, 0-250 inches, see ①
 Motion Conversion Ratio 8 inches per turn, see ②
 Accuracy the lesser of 0.02% full stroke or 0.04% of measurement range
 Measuring Cable stainless steel or thermoplastic rope, see ③
 Module Material hard anodized aluminum
 Maximum Allowable Rotational Sensor Torque 1.0 in-lbs.
 Weight, Aluminum Enclosure 5 lbs., max.

For any high resolution or absolute encoder requirement, the PT5600 delivers the ultimate in flexibility. As a reseller of many top-brand encoders, Celesco can deliver a complete solution with the PT5600 pre-mated and calibrated to the encoder.

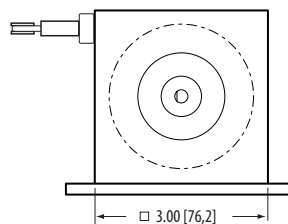
Supplying your own encoder? We also sell the PT5600 separately with all of the necessary tools and attachment hardware included!



Ⓐ Cable Traversing Dimension

stroke range	measuring cable		
	S47	V62	N34
50	0.30 [7,6]	0.39 [9,9]	n/a
100	0.60 [15,2]	0.78 [19,8]	n/a
150	0.90 [22,9]	1.17 [29,7]	n/a
200	n/a	n/a	0.86 [21,9]
250	n/a	n/a	1.08 [27,4]

ALL DIMENSIONS ARE IN INCHES [MM]
 tolerances are ± 0.03 inches [0,8 mm]
 unless otherwise noted



**Note! Overall dimension may vary depending on encoder configuration.

Latin Tech, Inc.

www.lt-automation.com • info@lt-automation.com

▼ **Ordering Information**

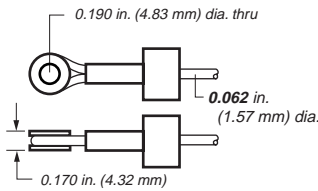
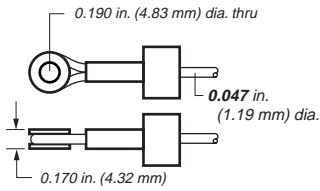
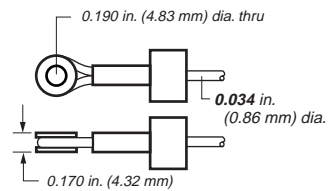
Model Number:

PT5600 - - - - -
order code: **R** **A** **B** **C**

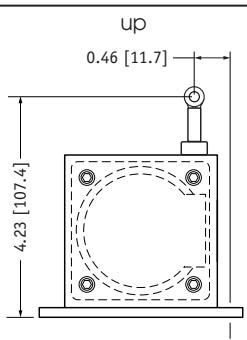
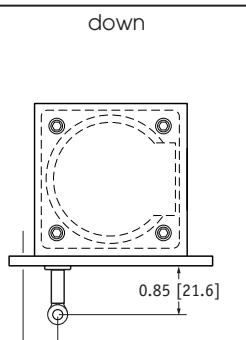
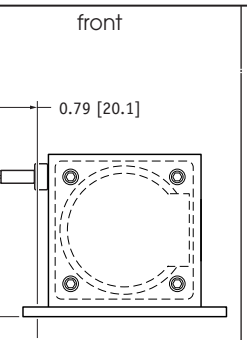
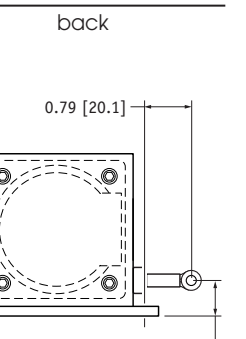
Full Stroke Range:

R <i>order code:</i>	50	100	150	200	250
① full stroke range, min:	50 in.	100 in.	150 in.	200 in.	250 in.
std. cable tension (±30%):	42 oz.	42 oz.	42 oz.	21 oz.	21 oz.

Motion Conversion Ratio & Measuring Cable:

A <i>order code:</i>	V62	S47	N34
available full stroke ranges:	<i>all ranges up to 150 inches</i>	<i>all ranges up to 150 inches</i>	<i>200 and 250 inches only</i>
② conversion ratio:	1 turn = 8.099 (±0.022) in.	1 turn = 8.052 (±0.022) in.	1 turn = 8.011 (±0.022) in.
③ measuring cable:	0.062 thermoplastic	0.047 stainless steel	0.034 nylon-coated stainless steel
			

Cable Exit:

B <i>order code:</i> direction:	UP	DN	FR	BK
up				

Rotational Sensors:

ⓐ *order code:* _____ *partial listing only--if you don't see the sensor you are looking for please contact Celesco*

<p>Incremental Encoders:</p> <p>AB-845H-DZ BEI-H20DB-37 BEI-H25D DRC-25D DYN-625-0 EPC-702-20-G EPC-702-01-H STE-DG60LWS</p> <p>Absolute Encoders:</p> <p>BEI-R25 CO-CP850-S DYN-A25 FRABA-AWC58-F IVO-GA240 STE-AG-626-W</p> <p>Explosion Proof: JC-1010</p> <p>Resolvers: NEO-2510 MIC-50 CC-HR90</p>	<p>Allen Bradley, Model 845 H, square flange, 3/8" shaft BEI, Model H20, square flange, 3/8" shaft, pilot BEI, Model H25, square flange Dynamics Research, Model 25D, square flange Dynapar, Model 625, square flange EPC, Model 702, square flange, 3/8"shaft, pilot EPC, Model 702, hollow shaft, 1/4" bore, flex mnt. Stegmann, Model DG60L, face mount flange, 10mm shaft</p> <p>BEI, Model R25, square flange Computer Optical, servo mount, 3/8" shaft Dynapar, Model A25, square flange FRABA, model AWC58, clamp flange, 10mm shaft IVO Industries, model GA240, servo mount Stegmann, Model AG 626, face mount flange, 10 mm shaft</p> <p>Jordan Controls, Position Transmitter-PT1010</p> <p>Neotech, Model 2510, servo mount Micron Instrument Corporation, Model 50 series Computer Coverions, Model HR90</p>
---	---

▼ Sample Model Number

PT5600- 50 - V62 - UP - BEI-H25D

order code: ⓐ ⓐ ⓐ ⓐ

Specifications: Full Stroke Range: 50 inches
 Measuring Cable: 0.062-in dia. thermoplastic
 Cable Exit: upward (top)
 Mating Sensor: BEI, Model H25D Incremental Encoder, 2.5" square flange, 3/8" shaft

▼ Placing an Order

Purchasing PT5600 alone? Please fax complete rotational sensor information, including outline drawing and model number specifications. Celesco must be sure of sensor compatibility before your order will be accepted. The PT5600 comes with all the tools and hardware you'll need to attach the sensor to the module.

Purchasing PT5600 with rotational sensor? Please contact Celesco Application Engineers for complete ordering information and pricing.