

# Cable-Extension Motion Conversion Module

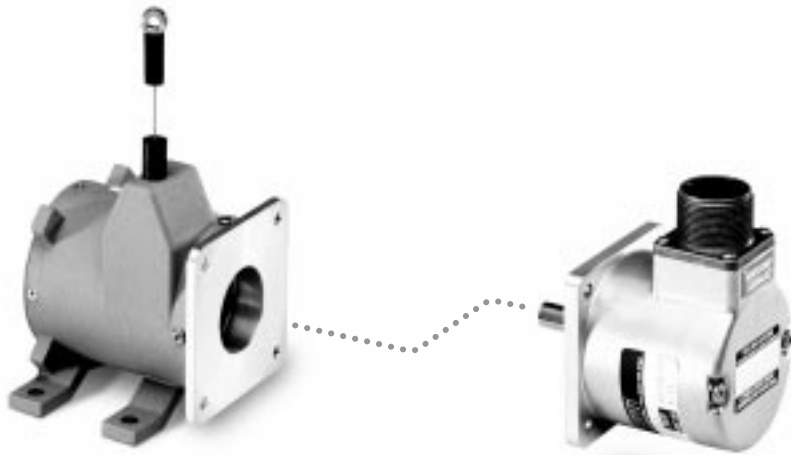
- ▼ Industrial Grade – Short to Medium Range
- ▼ Mates With Virtually Any Encoder
- ▼ Pre-mated to Encoder or Seperate Module

# PT8600

## Specification Summary:

### GENERAL

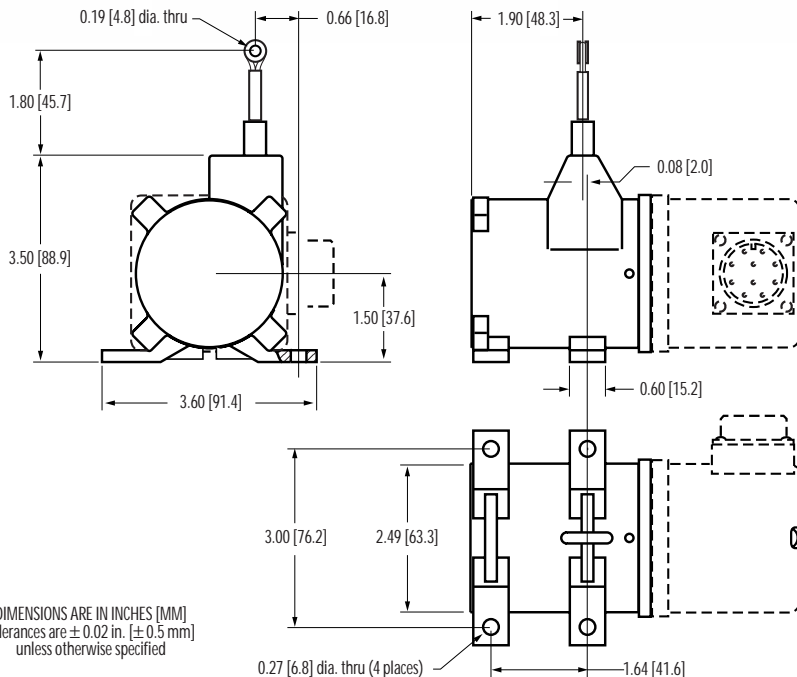
Full Stroke Range: ..... 0-25, 0-50 in., 0-625, 0-1250 mm, see ① next page  
 Motion Conversion Ratio:  
 English Ranges ..... 5 inches per turn, see ④  
 Metric Ranges ..... 125 mm per turn, see ⑤  
 Accuracy ..... the lesser of 0.02% full stroke or 0.04% of measurement range  
 Measuring Cable ..... stainless steel or thermoplastic rope, see ⑥  
 Module Material ..... aluminum and stainless steel available, see ③  
 Maximum Allowable Rotational Sensor Torque ..... 1.0 in.-lbs.  
 Weight, Aluminum Enclosure ..... 3 lbs., max.  
 Weight, Stainless Steel Enclosure ..... 6 lbs., max.



Our unique linear-to-rotational, industrial-grade motion conversion module mates to virtually any encoder, giving you a cost-effective linear position measurement solution that precisely fits your requirements. The PT8600 takes just minutes to install, fits easily into tight areas, does not require perfectly parallel alignment, and provides reliable and precise position measurements without needing periodic adjustments.

For any high resolution or absolute encoder requirement, the PT8600 delivers the ultimate in flexibility. As a reseller of many top-brand encoders, Celesco can deliver a complete solution with the PT8600 pre-mated and calibrated to the encoder.

Supplying your own encoder? We also sell the PT8600 separately with all of the necessary tools and attachment hardware included!



Latin Tech, Inc.

[www.lt-automation.com](http://www.lt-automation.com) • [info@lt-automation.com](mailto:info@lt-automation.com)

▼ Ordering Information

**Model Number:**

**PT8600-** \_\_\_\_\_ - \_\_\_\_\_ **1** - \_\_\_\_\_ - \_\_\_\_\_  
 order code:                      **R**                      **A**                      **B**                      **C**                      **D**                      **E**

**Full Stroke Range:**

	<b>R</b> order code: <b>0025</b>	<b>0050</b>	<b>0625</b>	<b>1250</b>
① full stroke range, min:	25 in.	50 in.	625 mm	1250 mm
accuracy (% of f.s.):	0.04 %	0.04%	0.04%	0.04%
maximum cable acceleration:	5 G's	5 G's	5 G's	5 G's
② std. cable tension (±20%):	15 oz.	15 oz.	15 oz.	15 oz.

**Enclosure Material & Measuring Cable Tension:**

	<b>A</b> order code: <b>1</b>	<b>2</b>	<b>3</b>	<b>4</b>
③ enclosure material:	powder-painted aluminum		303 stainless steel	
cable tension* multiplier:	1x	3x	1x	3x

\*note: refer to ② above

**Motion Conversion Ratio & Measuring Cable:**

	<b>B</b> order code: <b>1*</b>	<b>2**</b>	<b>3***</b>
④ conversion ratio, <b>english</b> ranges:	1 turn = 5.000 (±0.0094) in.	1 turn = 5.034 (±0.0094) in.	1 turn = 5.088 (±0.0094) in.
⑤ conversion ratio, <b>metric</b> ranges:	1 turn = 125.001 (±0.2394) mm	1 turn = 125.879 (±0.2394) mm	1 turn = 127.075 (±0.2394) mm
⑥ measuring cable:	0.034 nylon-coated stainless steel	0.047 stainless steel	0.062 thermoplastic

notes: \*available in all ranges

\*\*25-inch and 625-mm ranges only

\*\*\*25-inch and 625-mm ranges only

**Cable Guide Options:**

<b>I</b> order code:	<b>none</b>	<b>SS</b>	<b>BL*</b>	<b>BR</b>
	standard nylon cable guide	stainless steel cable guide	polyurethane cable bellows	integral cable brush

notes: \*will limit measurement range to 25 inches (635 mm) maximum

***Rotational Sensors:***

**ⓑ** *order code:* \_\_\_\_\_ *partial listing only--if you don't see the sensor you are looking for please contact Celesco*

<b>Incremental Encoders:</b>	<b>AB-845H-DZ</b>	Allen Bradley, Model 845 H, square flange, 3/8" shaft
	<b>BEI-H20DB-37</b>	BEI, Model H20, square flange, 3/8" shaft, pilot
	<b>BEI-H25D</b>	BEI, Model H25, square flange
	<b>DRC-25D</b>	Dynamics Research, Model 25D, square flange
	<b>DYN-625-0</b>	Dynapar, Model 625, square flange
	<b>EPC-702-20-G</b>	EPC, Model 702, square flange, 3/8"shaft, pilot
	<b>EPC-702-01-H</b>	EPC, Model 702, hollow shaft, 1/4" bore, flex mnt.
	<b>STE-DG60LWS</b>	Stegmann, Model DG60L, face mount flange, 10mm shaft
<b>Absolute Encoders:</b>	<b>BEI-R25</b>	BEI, Model R25, square flange
	<b>CO-CP850-S</b>	Computer Optical, servo mount, 3/8" shaft
	<b>DYN-A25</b>	Dynapar, Model A25, square flange
	<b>FRABA, model AWC58-F</b>	FRABA, model AWC58, clamp flange, 10mm shaft
	<b>IVO-GA240</b>	IVO Industries, model GA240, servo mount
	<b>STE-AG-626-W</b>	Stegmann, Model AG 626, face mount flange, 10 mm shaft
<b>Explosion Proof:</b>	<b>JC-1010</b>	Jordan Controls, Position Transmitter-PT1010
<b>Resolvers:</b>	<b>NEO-2510</b>	Neotech, Model 2510, servo mount
	<b>MIC-50</b>	Micron Instrument Corporation, Model 50 series
	<b>CC-HR90</b>	Computer Coverisons, Model HR90

**▼ Sample Model Number**

**PT8600- 0025 - 1 1 1 - BR - BEI-H25D**

*order code:* **ⓑ** **Ⓐ** **ⓑ** **Ⓒ** **ⓓ** **ⓔ**

Specifications: Full Stroke Range: 25 inches  
 Measuring Cable: 0.034-in dia. nylon-coated stainless steel  
 Enclosure: aluminum  
 Cable Exit Option: Cable Brush  
 Mating Sensor: BEI, Model H25D Incremental Encoder, 2.5" square flange, 3/8" shaft

**▼ Placing an Order**

**Purchasing PT8600 alone?** Please fax complete rotational sensor information, including outline drawing and model number specifications. Celesco must be sure of sensor compatibility before your order will be accepted. The PT8600 comes with all the tools and hardware you'll need to attach the sensor to the module.

**Purchasing PT8600 with rotational sensor?** Please contact Celesco Application Engineers for complete ordering information and pricing.