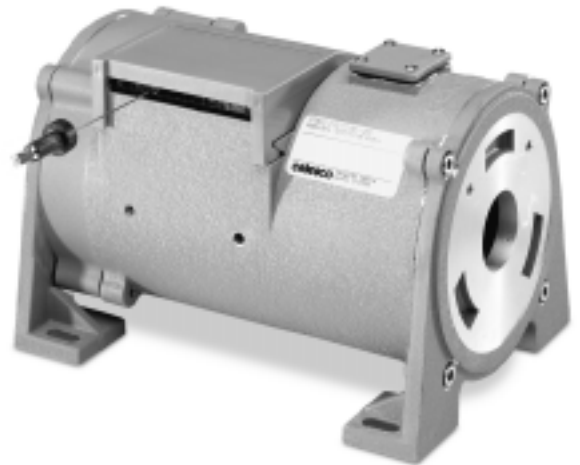


Cable-Extension Position Transducer

- ▼ Medium to Long Range
- ▼ Mates With Virtually Any Encoder
- ▼ Pre-mated to Encoder or Separate Module

PT9600



Specifications:

GENERAL

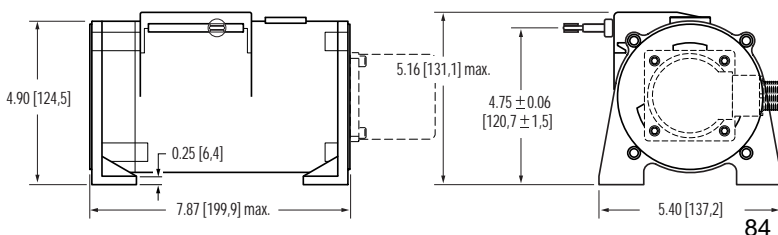
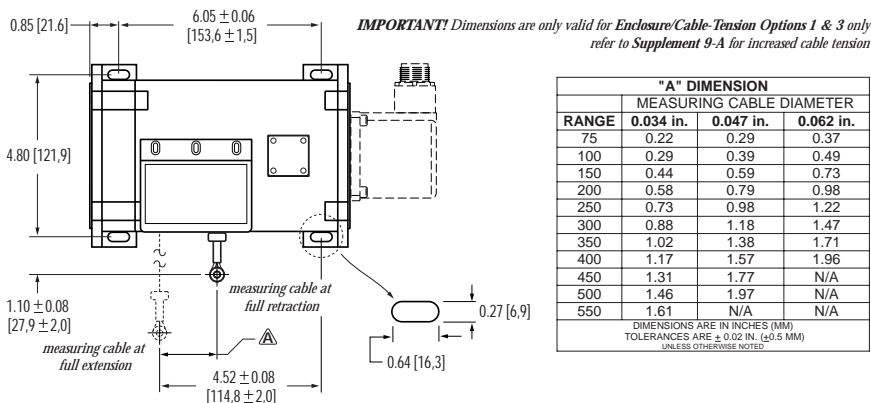
Full Stroke Range: 0-75 to 0-550 inches, see ① next page
 Motion Conversion Ratio: 1 turn = 12.6 inches, see ⑥ and ⑦
 Accuracy
 Typical the lesser of 0.02% f.s. or 0.04% of measurement +1/2 pulse max.
 Best not less than 0.001 in. (0.03 mm)
 Repeatability 0.02% of measurement +1/2 pulse max.
 Measuring Cable nylon-coated stainless steel or thermoplastic, see ③
 Enclosure Material powder-painted aluminum or stainless steel
 Encoder Shaft Coupling aluminum flexible coupling
 Maximum Allowable Rotational Sensor Torque 1.0 in.-lbs.
 Maximum Retraction Acceleration see ⑤
 Maximum Velocity see ④
 Weight, Aluminum Enclosure 8 lbs., max.
 Weight, Stainless Steel Enclosure 16 lbs., max.



PT9600
 mated to
 BEI Encoder
 for
high-resolution
 applications

Our unique linear-to-rotational, industrial-grade measurement module mates to virtually any encoder, giving you a cost-effective long-range linear position measurement solution that precisely fits your requirements.

This modular approach delivers the ultimate in flexibility. As a reseller of many top-brand encoders, Celesco can deliver a complete solution with the PT9600 pre-mated and calibrated to an encoder. The PT9600 takes just minutes to install, fits easily into tight areas, does not require perfectly parallel alignment, and provides reliable and precise position measurements without needing periodic adjustments.



Latin Tech, Inc.

www.lt-automation.com • info@lt-automation.com

PT9600 • Cable-Extension Motion Conversion Module

▼ Ordering Information

Model Number:

PT9600- _____ - _____ - _____ - _____ - _____
order code: **R** **A** **B** **C** **D**

Full Stroke Range:

	R <i>order code:</i>	0075	0100	0150	0200	0250	0300
① full stroke range, min:		75 inches	100 inches	150 inches	200 inches	250 inches	300 inches
	R <i>order code:</i>	0350	0400	0450*	0500*	0550*	
full stroke range, min:		350 inches	400 inches	450 inches	500 inches	550 inches	

Enclosure Material & Measuring Cable Tension:

	A <i>order code:</i>	1	2	3	4
enclosure:		see drawing (front page)	see Supplement 9-A	see drawing (front page)	see Supplement 9-A
② enclosure material:		powder-painted aluminum		303 stainless steel	
③ cable tension (±30%):		26 oz.	42 oz.	26 oz.	42 oz.
④ maximum velocity:		60 inches per second	200 inches per second	20 inches per second	80 inches per second
⑤ max. retraction acceleration:		1 G	5 G's	0.33 G	2 G's

note: *42 oz. cable tension (see ③ below) for these ranges is strongly recommended!

Motion Conversion Ratio & Measuring Cable:

	B <i>order code:</i>	1*	2**	3***
⑥ conversion ratio, aluminum enclosure:		1 turn = 12.673 (±0.010)	1 turn = 12.714 (±0.010)	1 turn = 12.755 (±0.010)
⑦ conversion ratio, stainless-steel enclosure:		1 turn = 12.579 (±0.010)	1 turn = 12.620 (±0.010)	1 turn = 12.661 (±0.010)
⑧ cable construction:		.034 nylon coated stainless steel	.047 stainless steel	.062 thermoplastic

0.190 in. (4.83 mm) dia. thru
0.034 in. (0.86 mm) dia.
0.170 in. (4.32 mm)

0.190 in. (4.83 mm) dia. thru
0.047 in. (1.19 mm) dia.
0.170 in. (4.32 mm)

0.190 in. (4.83 mm) dia. thru
0.062 in. (1.57 mm) dia.
0.170 in. (4.32 mm)

notes: *available in all ranges

**available in ranges up to 500-inches only

***available in ranges up to 400-inches

Cable Exit:

C <i>order code:</i>	1	2	3	4
direction:	front	top	rear	bottom

Rotational Sensors:

① *order code:* _____ *partial listing only--if you don't see the sensor you are looking for please contact Celesco*

Incremental Encoders:	AB-845H-DZ	Allen Bradley, Model 845 H, square flange, 3/8" shaft
	BEI-H20DB-37	BEI, Model H20, square flange, 3/8" shaft, pilot
	BEI-H25D	BEI, Model H25, square flange
	DRC-25D	Dynamics Research, Model 25D, square flange
	DYN-625-0	Dynapar, Model 625, square flange
	EPC-702-20-G	EPC, Model 702, square flange, 3/8" shaft, pilot
	EPC-702-01-H	EPC, Model 702, hollow shaft, 1/4" bore, flex mnt.
	STE-DG60LWS	Stegmann, Model DG60L, face mount flange, 10mm shaft
Absolute Encoders:	BEI-R25	BEI, Model R25, square flange
	CO-CP850-S	Computer Optical, servo mount, 3/8" shaft
	DYN-A25	Dynapar, Model A25, square flange
	FRABA-AWC58-F	FRABA, model AWC58, clamp flange, 10mm shaft
	IVO-GA240	IVO Industries, model GA240, servo mount
	STE-AG-626-W	Stegmann, Model AG 626, face mount flange, 10 mm shaft
Explosion Proof:	JC-1010	Jordan Controls, Position Transmitter-PT1010
Resolvers:	NEO-2510	Neotech, Model 2510, servo mount
	MIC-50	Micron Instrument Corporation, Model 50 series
	CC-HR90	Computer Coverions, Model HR90

▼ Sample Model Number

PT9600- 0200 - 1 1 1 - BEI-H25D
order code: ② ① ③ ④ ⑤

Specifications: Full Stroke Range: 200 inches
Enclosure Material: powder-painted aluminum
Measuring Cable: 0.034-in dia. nylon-coated stainless steel cable
Mating Sensor: BEI, Model H25D Incremental Encoder,
2.5" square flange, 3/8" shaft

▼ Placing an Order

Purchasing PT9600 alone? Please fax complete rotational sensor information, including outline drawing and model number specifications. Celesco must be sure of sensor compatibility before your order will be accepted. The PT9600 comes with all the tools and hardware you'll need to attach the sensor to the module.

Purchasing PT9600 with rotational sensor? Please contact Celesco Application Engineers for complete ordering information and pricing.

- ▼ All High Acceleration Applications
- ▼ 450-550 inch Full Stroke Applications

General:

Celeco strongly recommends increased cable tension for:

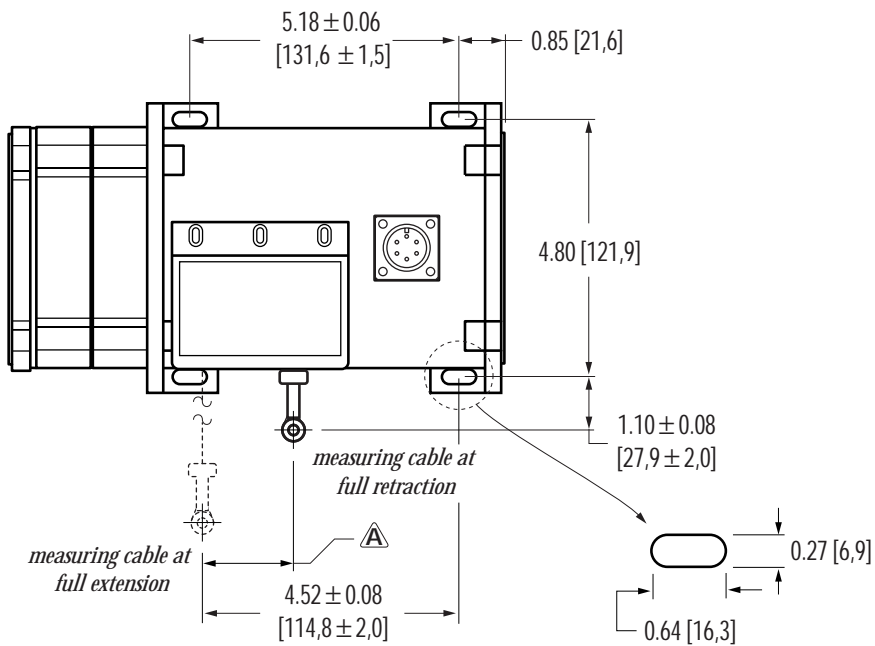
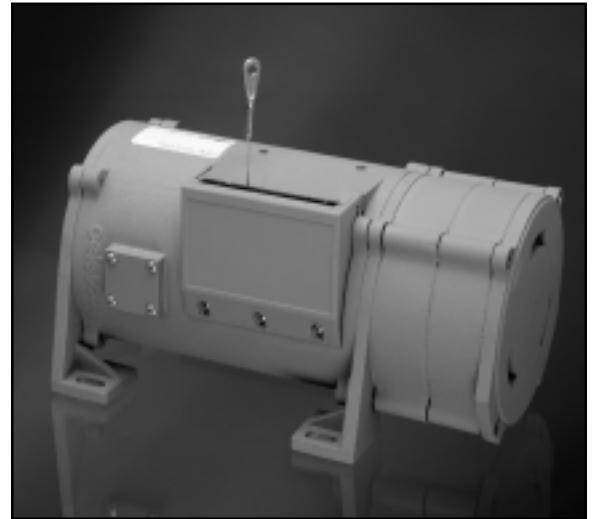
- Cable velocities greater than 60 inches per second
- Cable retraction accelerations exceeding:
 - 1 G (for aluminum enclosure)
 - 0.33 G (for stainless-steel enclosure)
- Applications with ranges 450 inches and greater to minimize cable sag and maintain dynamic capabilities.

Transducer Models:

PT9101	PT9150	PT9301
PT9420	PT9510	PT9600

Available Ranges:

75 to 550 inches



"A" DIMENSION			
MEASURING CABLE DIAMETER			
RANGE	0.034 in.	0.047 in.	0.062 in.
75	0.22	0.29	0.37
100	0.29	0.39	0.49
150	0.44	0.59	0.73
200	0.58	0.79	0.98
250	0.73	0.98	1.22
300	0.88	1.18	1.47
350	1.02	1.38	1.71
400	1.17	1.57	1.96
450	1.31	1.77	N/A
500	1.46	1.97	N/A
550	1.61	N/A	N/A

DIMENSIONS ARE IN INCHES (MM)
TOLERANCES ARE ± 0.02 IN. (± 0.5 MM)
UNLESS OTHERWISE NOTED

